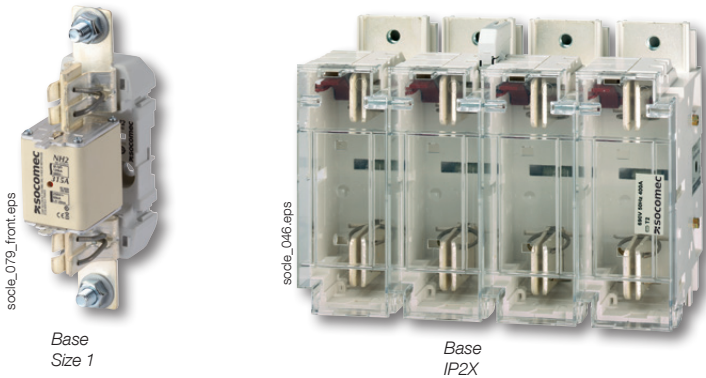


Fuse bases

Fuse protection

for NH industrial and high-speed (uR) fuses from 160 to 2500 A



Function

SOCOME **fuse bases** are unipolar or multipolar supports for knife-edge fuses.

Advantages

High level of electrical safety

- High dielectric strength.
- IP2X protection (standard or optional depending on models).

High breaking capacity

Protection against overloads and short-circuits thanks to high breaking capacity fuses

(100 kA rms).

Fuse blown indicator

When used with striker fuses, the fuse blown indication is possible thanks to an auxiliary contact.

Various mounting options

DIN rail or back plate mounting (depending on models).

The solution for

- > Motor feeders
- > Protection of industrial cabinet



Strong points

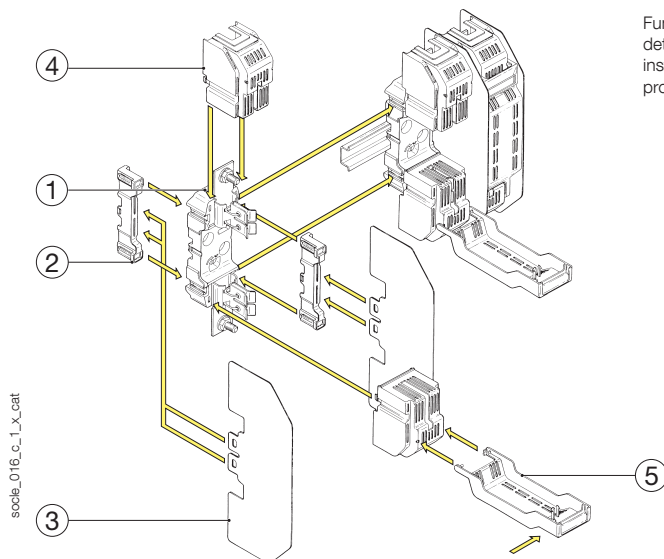
- > High level of electrical safety
- > Fuse blown indicator
- > Various mounting options

Compliance with standards

- > IEC 60269-1
- > IEC 60269-2
- > IEC 60269-2,-1
- > NF EN 60269-1
- > NF C 63211
- > VDE 0636-10
- > DIN 43620



Functional diagram



Functional diagram (for further details see the installation instructions supplied with the product)

1. Fuse bases
2. Connecting block:
 - block for assembling unipolar bases T00, T0, T1, T2 and T3
 - support for interphase barriers T00, T0, T1, T2 and T3
3. Phase separation shield
4. Terminal shrouds (necessary for mounting fuse covers)
5. Fuse cover (provides IP2 protection for any brand of fuse)

- IP20 Kit:
- unipolar = 2 connecting blocks + 2 phase separation shields + 2 terminal shrouds + 1 fuse cover
 - tripolar = 2 connecting blocks (for the ends) + 2 phase separation shields for the ends + 6 terminal shrouds + 3 fuse covers.

References

Fuse bases for fuses without a striker from 160 to 630 A (U = 690 V)

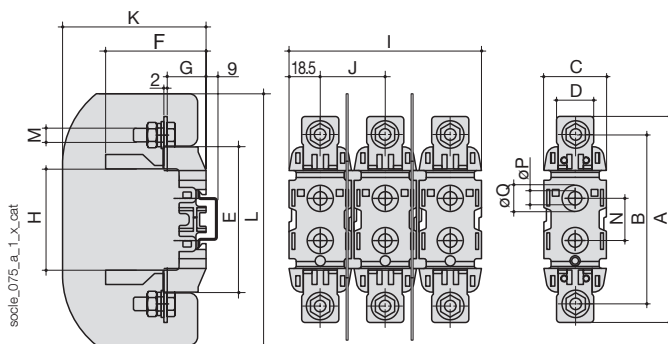
Rating Fuse size		160 A 00	160 A 0	250 A 1	400 A 2	630 A 3
Back plate mounted device						
No. of poles	To be ordered in multiples of	Reference	Reference	Reference	Reference	Reference
1 P	3	6500 1010	6501 1010	6501 1011	6501 1012	6501 1013
3 P	1	6500 1030	6501 1030	6501 1031	6501 1032	6501 1033
DIN rail-mounted device						
No. of poles	To be ordered in multiples of	Reference	Reference	Reference	Reference	Reference
1 P	3	6500 1110	6501 1110	6501 1111	6501 1112	6501 1113
3 P	1	6500 1130	6501 1130	6501 1131	6501 1132	6501 1133
Options: IP20 kit						
No. of poles		Reference	Reference	Reference	Reference	Reference
1 P ⁽¹⁾		6510 1010	6511 1010	6511 1011	6511 1012	6511 1013
3 P ⁽²⁾		6510 1030	6511 1030	6511 1031	6511 1032	6511 1033
Accessories						
Description of accessories	To be ordered in multiples of	Reference	Reference	Reference	Reference	Reference
Connecting block - set of 1 piece	2	6500 0033	6500 0030	6500 0031	6500 0031	6500 0032
Phase separation shield - set of 1 piece	2	6500 0001	6500 0002	6500 0003	6500 0003	6500 0004
Terminal shrouds - set of 1 piece	6	6500 0010	6500 0011	6500 0012	6500 0013	6500 0014
Fuse cover - set of 1 piece	3	6500 0020	6500 0021	6500 0022	6500 0022	6500 0023

(1) IP20 unipolar kit comprises - 2 connecting blocks, 2 phase separation shields, 2 terminal shrouds and 1 fuse cover.

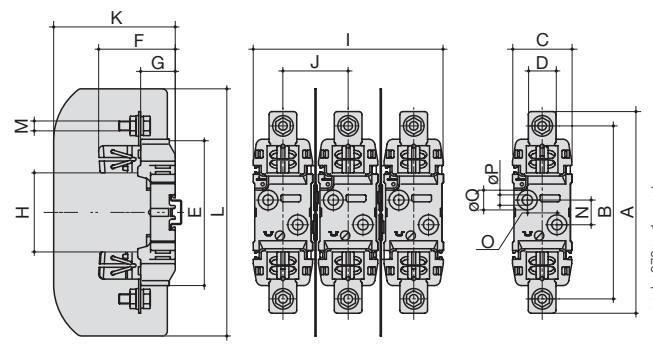
(2) IP20 tripolar kit comprises - 2 connecting blocks for the ends, 2 phase separation shields for the ends, 6 terminal shrouds and 3 fuse covers.

Dimensions

160 A fuse base, size 00



160 to 630 A fuse base, sizes 0, 1, 2 and 3



Rating (A)	Fuse size	A	B	C	D	E	F	G	H	I	J	K	L	M	N	O	P	Q
160	00	122	100	37	22	86	59.5	23	57	114	38.5	85	146	M8	25	-	8	15
160	0	170	150	47	24	122	63	29	74	144	48.5	91.5	185	8	25	-	7.5	15
250	1	200	175	60	28	148	77.5	35	80	192	66	123	250	10	25	30	10.5	20.5
400	2	225	200	60	32	148	88	35	80	192	66	123	250	12	25	30	10.5	20.5
630	3	240	210	60	38	148	97	35	80	224	82	143	270	12	25	30	10.5	20.5

Fuse bases

Fuse protection

for NH industrial and high-speed (uR) fuses from 160 to 2500 A

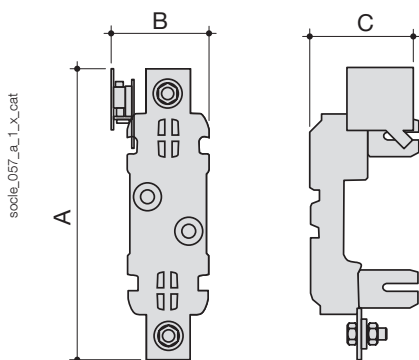
References

Unipolar fuse bases for fuses with a striker from 160 to 630 A (U = 690 V)

Rating Fuse size	160 A 0	250 A 1	400 A 2	630 A 3
Back plate mounted device without AC				
No. of poles	Reference	Reference	Reference	Reference
1 P	6501 1010	6501 1011	6501 1012	6501 1013
DIN rail-mounted device without AC				
No. of poles	Reference	Reference	Reference	Reference
1 P	6501 1110	6501 1111	6501 1112	6501 1113
Accessories				
Presence and fuse blown signalling AC (DDMM)				
No. of poles	Reference	Reference	Reference	Reference
1 P	6500 0040	6500 0041	6500 0042	6500 0043
Characteristics				
NO/NC contact				
Nominal current I _n (A) 250 VAC	16	16	16	16

Dimensions

160 to 630 A fuse base, sizes 0, 1, 2 and 3



Rating (A)	Fuse size	A	B	C
160	0	193	65.5	90
250	1	215	76	98
400	2	227	76	102
630	3	235	76	102

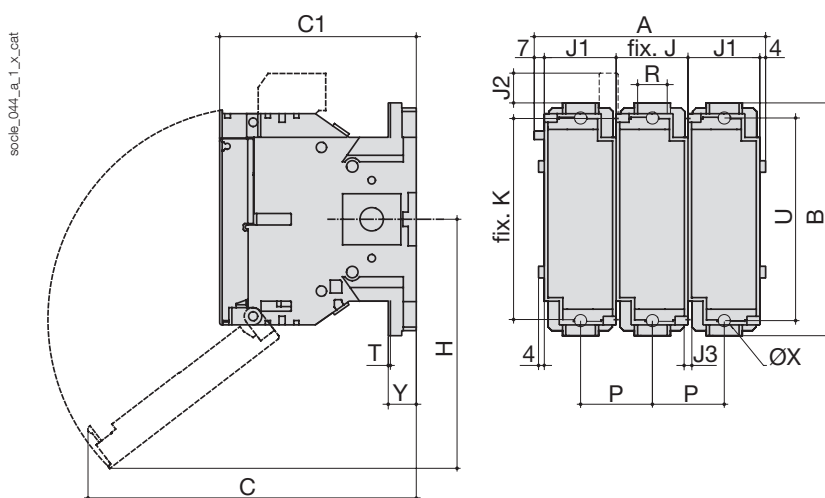
References

Multipolar fuse bases for fuses with a striker from 160 to 400 A (U = 690 V)

Rating Fuse size	160 A 0	250 A 1	400 A 2
Back plate mounted device with presence and fuse blown signalling AC (DDMM)			
No. of poles	Reference	Reference	Reference
2 P	6301 2016	6301 2024	6301 2039
3 P	6301 3016	6301 3024	6301 3039
4 P	6301 4016	6301 4024	6301 4039
Auxiliary contacts for fuse blown indication			
AC position	Reference	Reference	Reference
1 st AC	included	included	included
2 nd	3994 1901	3994 1901	3994 1901
Terminal shrouds (1 piece)			
No. of poles	Reference	Reference	Reference
2 P	3998 2016	3998 2025	3998 2025
3 P	3998 3016	3998 3025	3998 3025
4 P	3998 4016	3998 4025	3998 4025

Dimensions

160 to 400 A fuse base, size 0



Rating (A)	Fuse size	A 2 p.	A 3 p.	A 4 p.	B	C	C1	H	J	J1	J2	J3	K	P	R	T	U	ØX	Y
160	0	111	161	211	162	229	136.5	174	50	60	20.5	5.4	140	50	20	2.5	141	8.5	19.5
250	1	131	191	251	195	251	146	185	60	60	7.5	6.4	162	60	32	2.5	166	11	19.5
400	2	143	209	275	205	260	149	200	66	66	2.5	6.4	172	66	50	3	175	11	20

Fuse bases

Fuse protection

for NH industrial and high-speed (uR) fuses from 160 to 2500 A

References

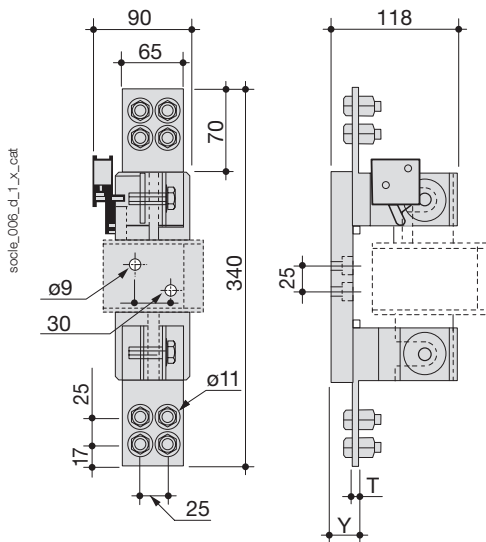
Fuse bases for fuses with or without a striker from 1000 to 2500 A (U = 690 V)

Rating (A) Fuse size	1 000 A 4	1 250 A 4	2500 A 2 x 4	2 500 A 2 x 4 (S)	2 500 A 6 (for neutral)
Device without presence and fuse blown signalling (DDMM)					
No. of poles	Reference	Reference	Reference	Reference	Reference
1 P	6431 0004	6431 0005	6431 0006		6431 0007 ⁽¹⁾
Device with presence and fuse blown signalling (DDMM)					
No. of poles	Reference	Reference	Reference	Reference	Reference
1 P	7304 0001	7305 0001	7306 0001	6433 0005	

(1) Without solid neutral link.

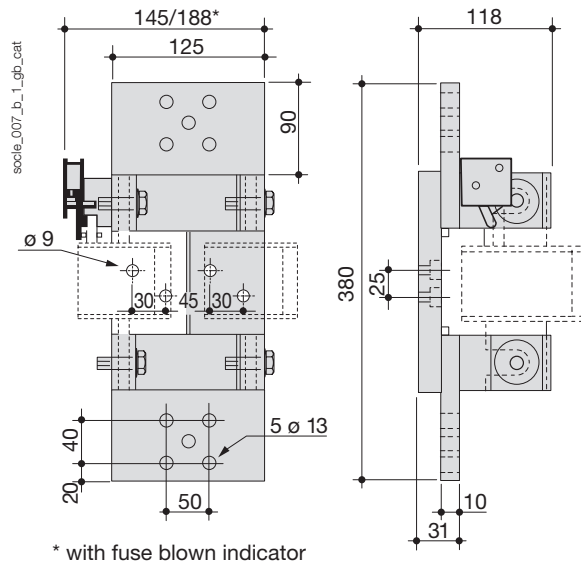
Dimensions

1000 to 1250 A fuse base, size 4

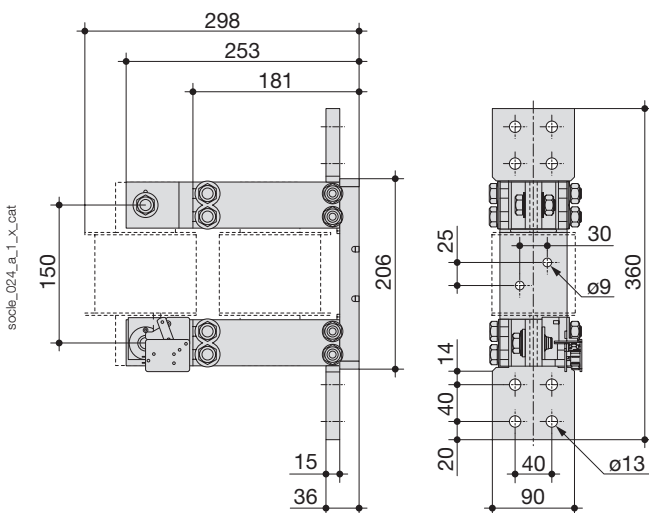


Rating (A)	Y (mm)	T (mm)
1000	25	4
1250	30	9

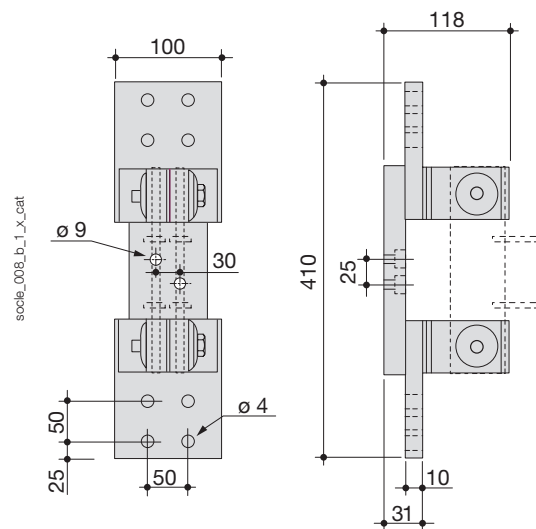
2500 A fuse base, size 2 X 4



2500 A fuse base, 2 x 4 (S)



2500 A fuse base, size 6 (for neutral)



References

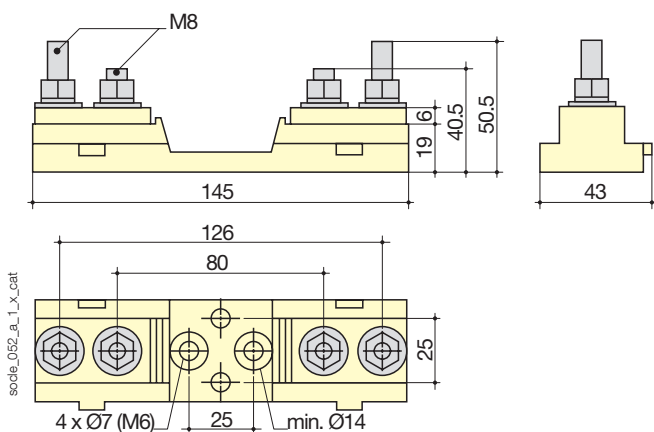
Unipolar fuse bases for UR fuses

	1000 VAC	1400 VAC	
L shaped bracket /80 (distance between centres 80)			
Thermal current I_{th} at 40°C	Type of fuse	Reference	Reference
400	0000 ... 00 bolted connection	170H 1007	
Knife-edge fuses /80 (distance between centres 80)			
Thermal current I_{th} at 40°C	Type of fuse	Reference	Reference
1250 ⁽¹⁾	1* ... 3	170H 3004	
Knife-edge fuses /110 (distance between centres 110)			
Thermal current I_{th} at 40°C	Type of fuse	Reference	Reference
1250 ⁽¹⁾	1* ... 3	170H 3006	

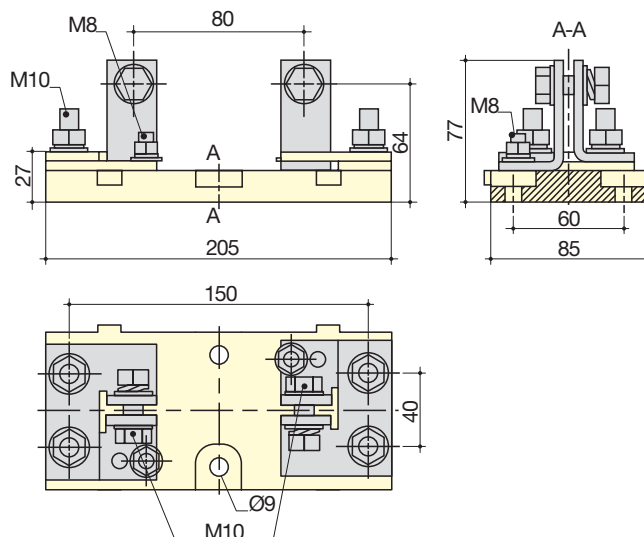
(1) For currents > 1250 A, please consult us.

Dimensions

Bracket /80 - 400 A - 1000 VAC
Ref.: 170H 1007



Knife-edge /80 - 1250 A - 1000 VAC
Ref.: 170H 3004



Knife-edge /110 - 1250 A - 1400 VAC - Ref: 170H 3006

