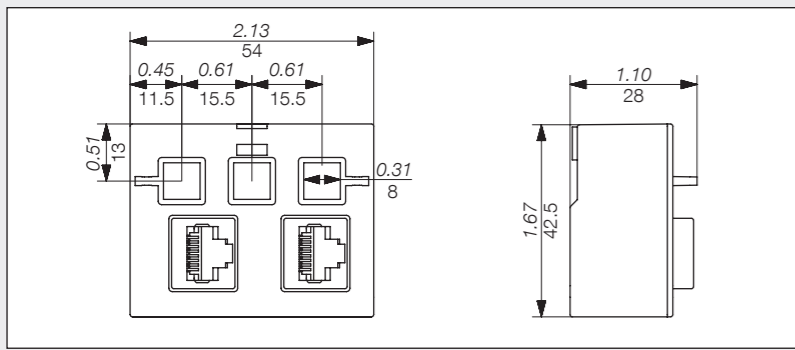
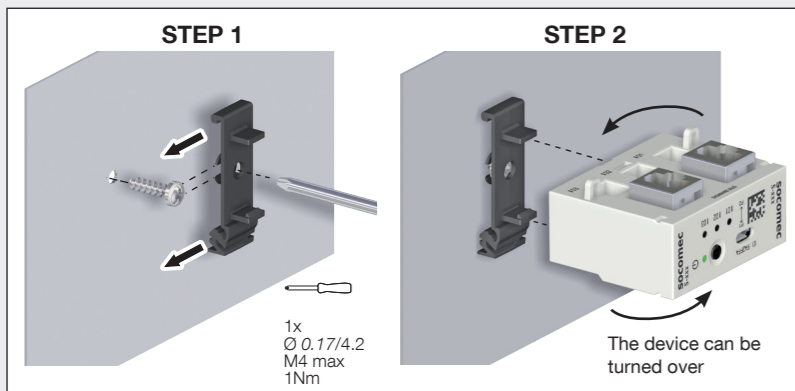


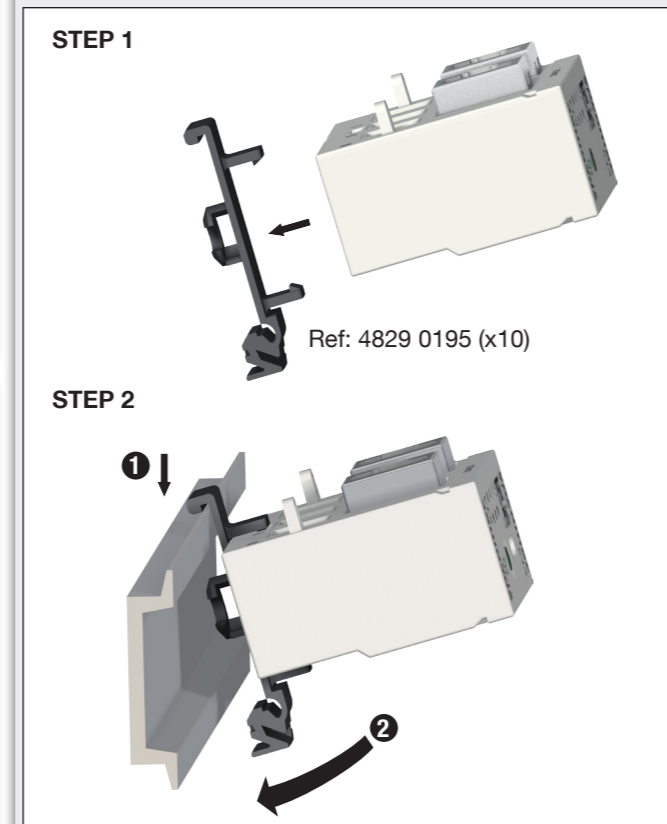
3 Dimensions



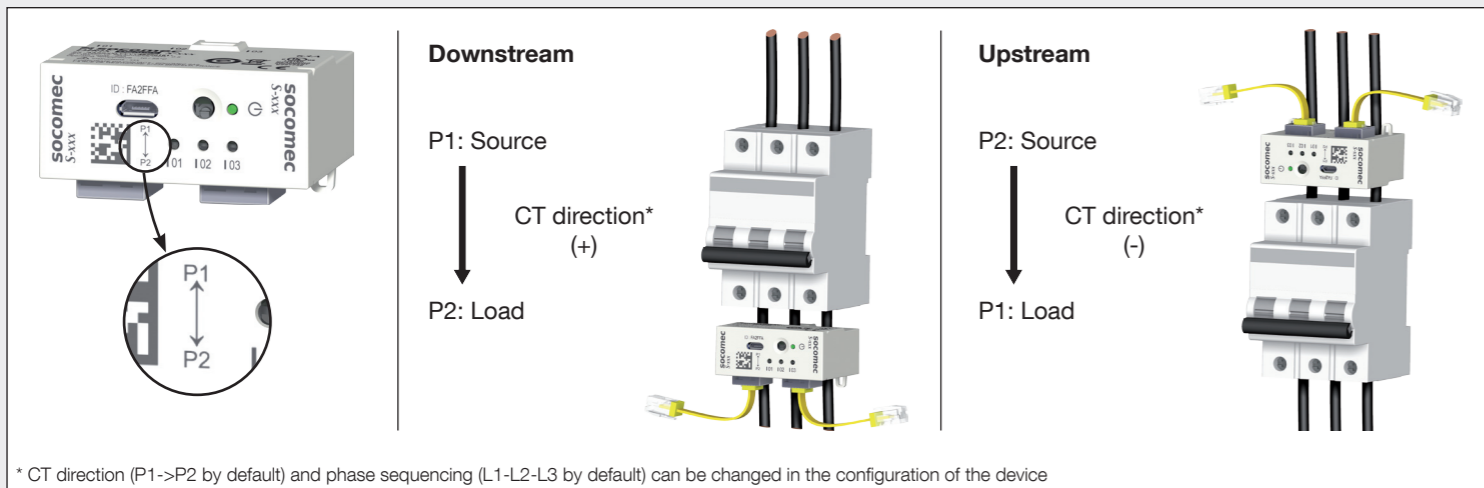
4a Plate Mounting



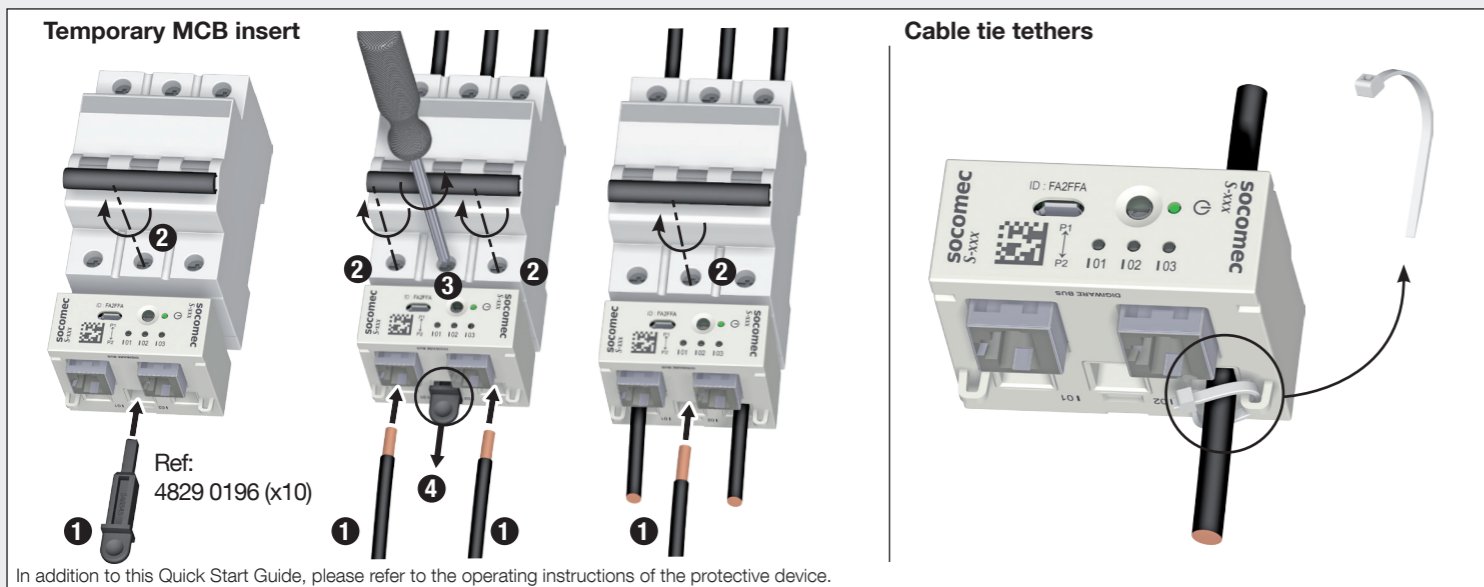
4b DIN-rail Mounting



5 Positioning



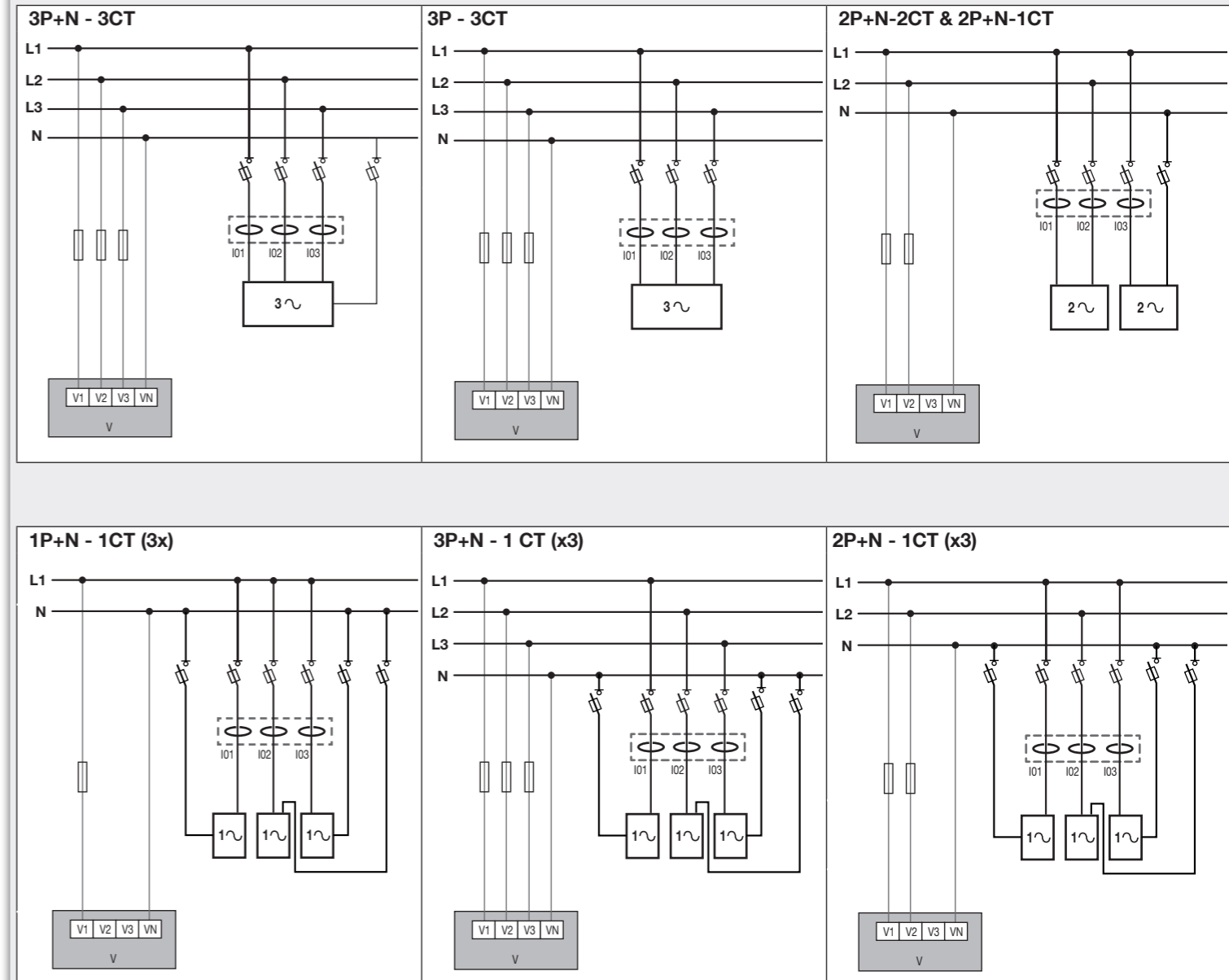
6 Holding



7 Main network connections and loads

DIRIS Digiware S

Each current input setting is individual, see below some examples:



8 Configuration

