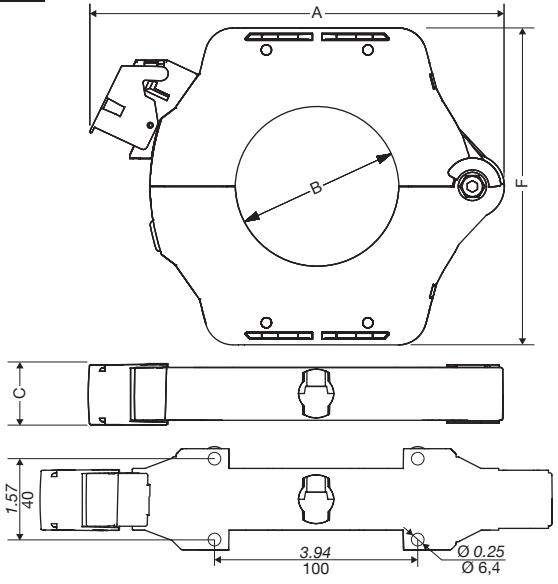
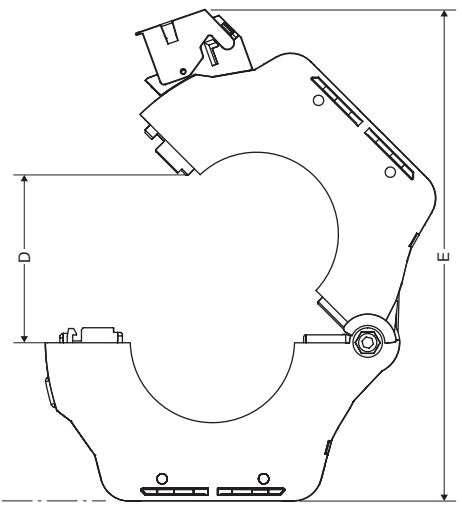
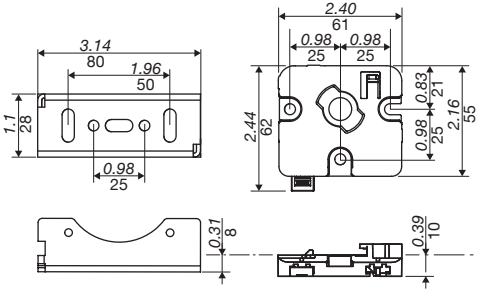


1 Characteristics



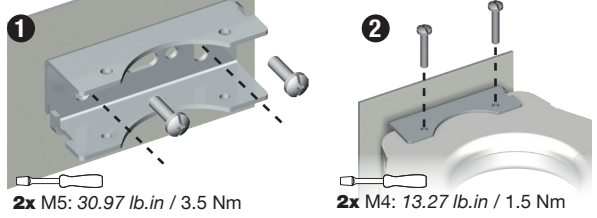
Dual dimensions in/mm

ΔIP	Ø 50 mm		Ø 80 mm		Ø 120 mm	
A in/mm	6.30	160	8.03	204	9.92	252
B in/mm	1.93	49	3.11	79	4.68	119
C in/mm	1.18	30	1.18	30	1.18	30
D in/mm	3.03	77	4.25	108	5.86	149
E in/mm	7.87	200	10.23	260	12.91	328
F in/mm	4.56	116	6.14	156	8.03	204
Weight oz/g	14.96	380	29.98	850	52.91	1500

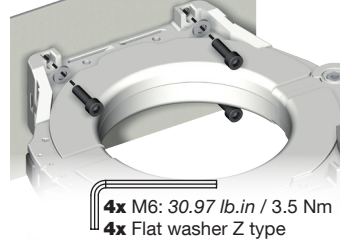


2 Mounting

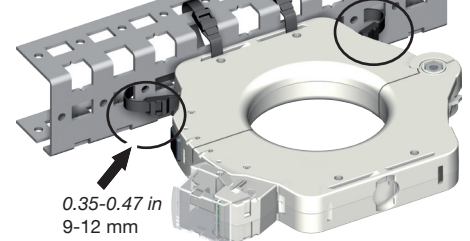
Ø 50-80-120 mm



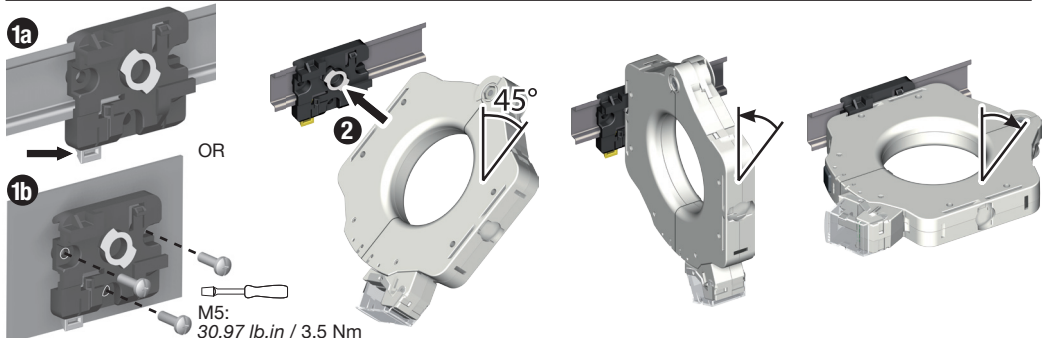
Ø 120 mm



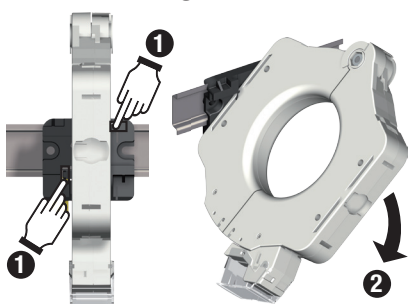
Ø 50-80-120 mm



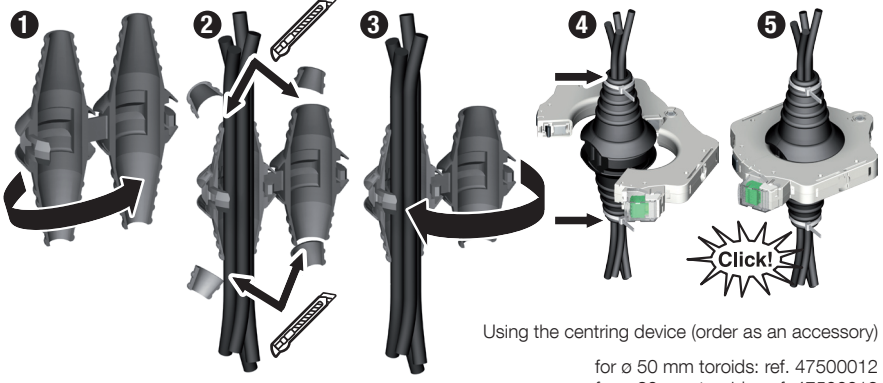
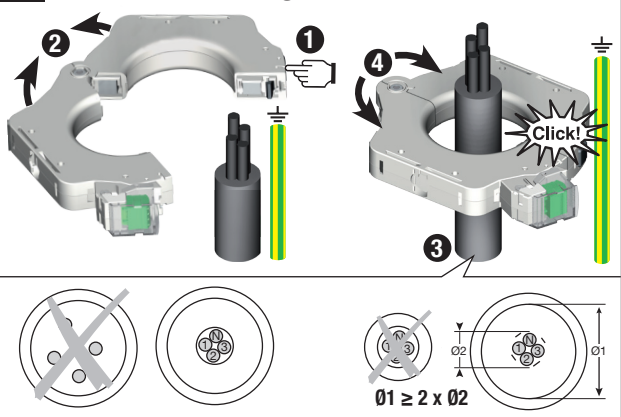
Ø 50-80-120 mm



Dismantling



3 Commissioning



Using the centring device (order as an accessory)
 for ø 50 mm toroids: ref. 47500012
 for ø 80 mm toroids: ref. 47500013
 for ø 120 mm toroids: ref. 47500014

4 Connection

