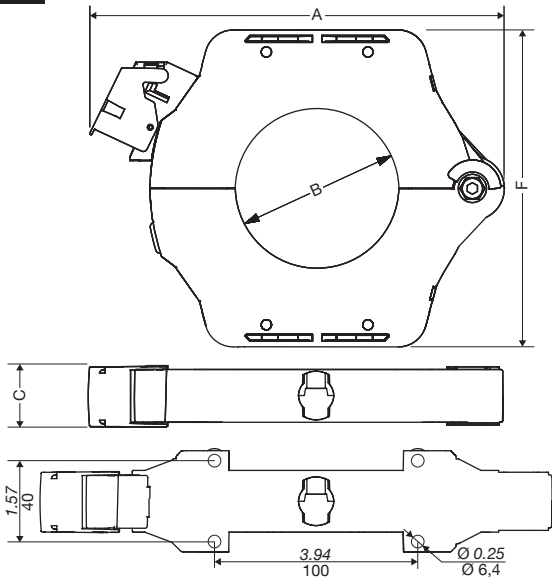
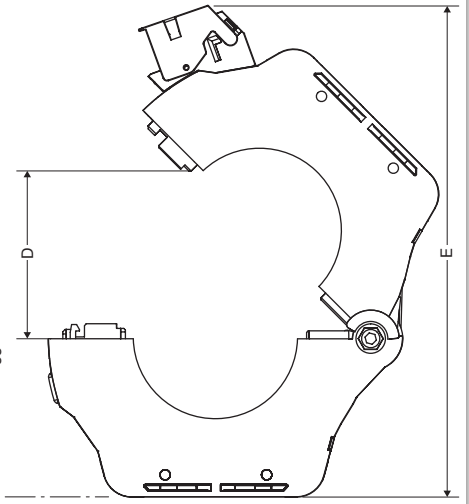
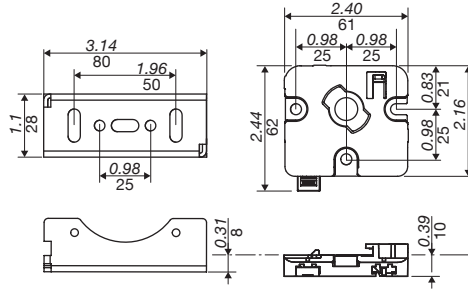


1 Characteristics



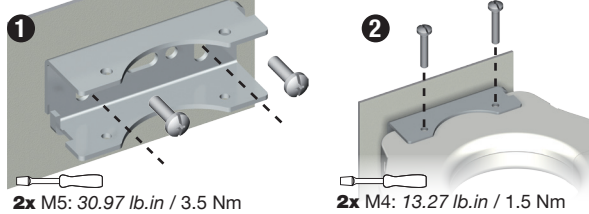
Dual dimensions in/mm

ΔIP	Ø 50 mm		Ø 80 mm		Ø 120 mm	
A in/mm	6.30	160	8.03	204	9.92	252
B in/mm	1.93	49	3.11	79	4.68	119
C in/mm	1.18	30	1.18	30	1.18	30
D in/mm	3.03	77	4.25	108	5.86	149
E in/mm	7.87	200	10.23	260	12.91	328
F in/mm	4.56	116	6.14	156	8.03	204
Weight oz/g	14.96	380	29.98	850	52.91	1500



2 Mounting

Ø 50-80-120 mm



2x M5: 30.97 lb.in / 3.5 Nm

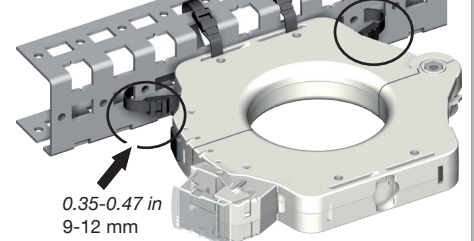
2x M4: 13.27 lb.in / 1.5 Nm

Ø 120 mm



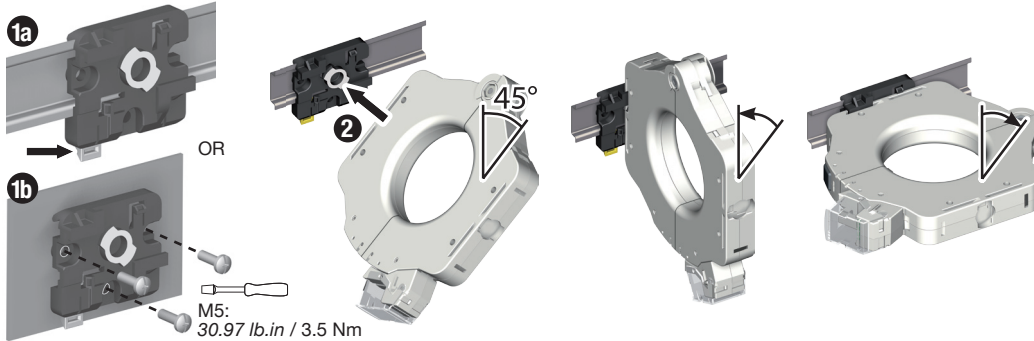
4x M6: 30.97 lb.in / 3.5 Nm
4x Flat washer Z type

Ø 50-80-120 mm



0.35-0.47 in
9-12 mm

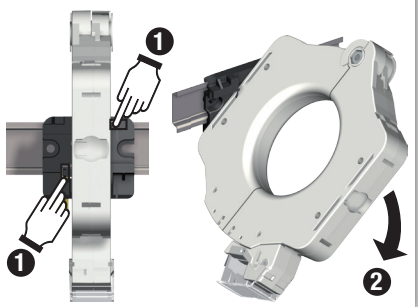
Ø 50-80-120 mm



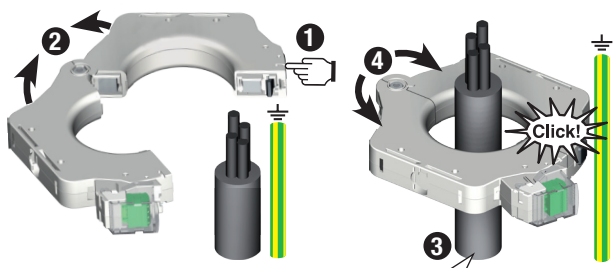
OR

M5:
30.97 lb.in / 3.5 Nm

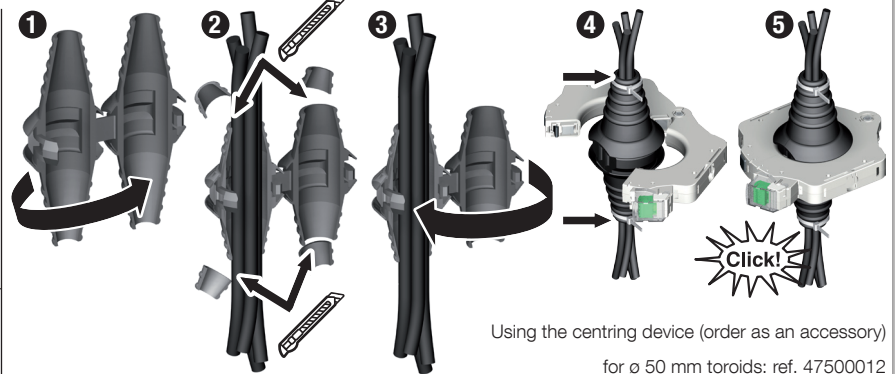
Dismantling



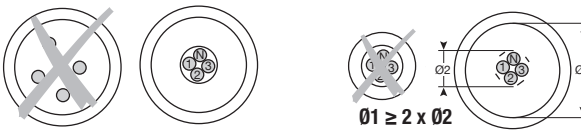
3 Commissioning



Click!



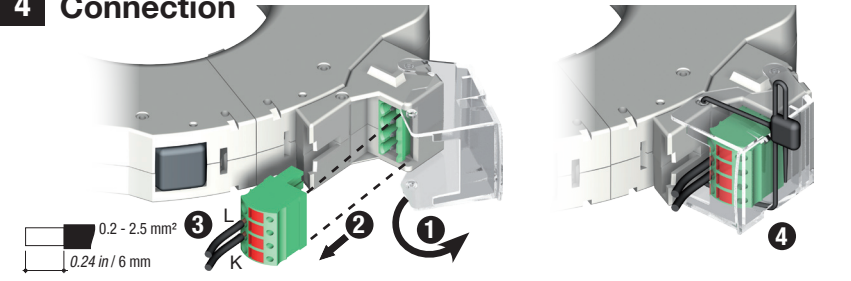
Click!



Ø1 ≥ 2 x Ø2

Using the centring device (order as an accessory)
for ø 50 mm toroids: ref. 47500012
for ø 80 mm toroids: ref. 47500013
for ø 120 mm toroids: ref. 47500014

4 Connection



0.2 - 2.5 mm²
0.24 in / 6 mm

Recto-verso / papier blanc offset 70g/m² / noir et blanc /
format ouvert : 210x297 mm / format plié 105x74 mm
avec code barre et référence visibles.