

ATyS range

ATyS *r*, ATyS *g*, ATyS *p*
from 125 to 3200 A

Accessories

Terminal shrouds

Use

IP2X protection against direct contact with terminals or connecting parts.

Advantages

Perforations allow remote thermographic inspection without the need to remove the shrouds.

Rating (A)	Frame size	No. of poles	Position	Reference
125 ... 200	B3	3 P	top / bottom / front (I) / rear (II)	2694 3014 ⁽¹⁾⁽²⁾
125 ... 200	B3	4 P	top / bottom / front (I) / rear (II)	2694 4014 ⁽¹⁾⁽²⁾
250 ... 400	B4	3 P	top / bottom / front (I) / rear (II)	2694 3021 ⁽¹⁾⁽²⁾
250 ... 400	B4	4 P	top / bottom / front (I) / rear (II)	2694 4021 ⁽¹⁾⁽²⁾
500 ... 630	B5	3 P	top / bottom / front (I) / rear (II)	2694 3051 ⁽¹⁾⁽²⁾
500 ... 630	B5	4 P	top / bottom / front (I) / rear (II)	2694 4051 ⁽¹⁾⁽²⁾

(1) For complete shrouding at front, rear, top and bottom, order quantity 4; if equipped with bridging bars order quantity 3.

(2) For top and bottom shrouding for the front only, order quantity 2.



access_206_a_2_cat

Terminal screens

Use

Upstream and downstream protection against direct contact with terminals or connection parts.

For upstream and downstream protection, order quantity 1.

Rating (A)	Frame size	No. of poles	Position	Reference
125 ... 200	B3	3 P	top / bottom	1509 3012
125 ... 200	B3	4 P	top / bottom	1509 4012
250 ... 400	B4	3 P	top / bottom	1509 3025
250 ... 400	B4	4 P	top / bottom	1509 4025
500 ... 630	B5	3 P	top / bottom	1509 3063
500 ... 630	B5	4 P	top / bottom	1509 4063
800 ... 1250	B6	3 P	top / bottom	1509 3080
800 ... 1250	B6	4 P	top / bottom	1509 4080
1600	B7	3 P	top / bottom	1509 3160
1600	B7	4 P	top / bottom	1509 4160
2000 ... 3200	B8	3 P	top / bottom	1509 3200
2000 ... 3200	B8	4 P	top / bottom	1509 4200



access_207_a_2_cat

Inter-phase barrier

Use

Safe isolation between the terminals, essential for use at 690 VAC or in a polluted or dusty atmosphere.

Rating (A)	Frame size	No. of poles	Reference
125 ... 200	B3	3 P	2998 0033
125 ... 200	B3	4 P	2998 0034
250 ... 400	B4	3 P	2998 0023
250 ... 400	B4	4 P	2998 0024
500 ... 630	B5	3 P	2998 0013
500 ... 630	B5	4 P	2998 0014
800 ... 3200	B6 ... B8	3/4 P	included

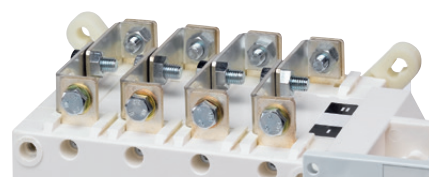
Bridging bars

Use

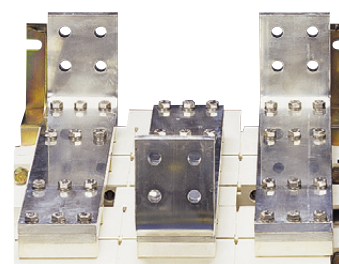
For bridging power terminals on the outgoing side of the switch.

Rating (A)	Frame size	Diameter (mm)	Reference ⁽¹⁾
125 ... 200	B3	20 x 2,5	4109 0019
250	B4	25 x 2,5	4109 0025
315 ... 400	B4	32 x 5	4109 0039
500	B5	32 x 5	4109 0050
630	B5	50 x 5	4109 0063
800 ... 1000	B6	50 x 6	4109 0080
1250	B6	60 x 8	4109 0120
1600	B7	90 x 10	4109 0160

(1) For a 3 pole device order quantity 3 bridging bars, for a 4 pole device order quantity 4.



access_205_a_2_cat



access_041_a_1_cat

Copper bar connection pieces

Use

For ratings 2000 to 3200 A.

Enables:

- Flat connection: the connection pieces provide a link between the two power terminals of the same pole (Fig. 1).
- Edgewise connection: the connection pieces provide a link between the two power terminals of the same pole and an edgewise bar connection terminal.
- Top or bottom bridging between two poles (Fig. 3).

Once installed, the power terminal is connection ready.

For 3200 A rating, connection pieces (part A) are supplied as standard. Bolt sets must be ordered separately.

Connection: the quantities given in the below table refer to the number of pieces required per pole, top or bottom.

Bridging connection: the quantities given refer to the number of pieces required to complete a single bridging connection between two poles.

	Reference	2000 – 2500 A			3200 A		
		Fig. 1	Fig. 2	Fig. 3	Fig. 1	Fig. 2	Fig. 3
		Connection		Bridging connection I - II	Connection		Bridging connection I - II
		Flat	Edgewise		Flat	Edgewise	
Connection - part A	2619 1200	1	1	2 ⁽²⁾	included	included	included
Bolt kit 35 mm - part B	2699 1201	1 ⁽¹⁾		2 ⁽²⁾	1 ⁽¹⁾		2 ⁽²⁾
Bolt kit 45 mm - part B	2699 1200	1 ⁽¹⁾			1 ⁽¹⁾		
T + Bolt kit - part C	2629 1200		1	1		1	1
Bracket + bolt kit - part D	2639 1200		1			1	
Bar + bolt kit - part E	4109 0320			1			1

(1) Choose the bolt length according to the thickness of the bars being connected; if bar thickness is greater than 20 mm, 45 mm bolts are required.

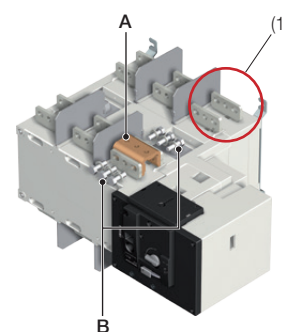
(2) For bridging connections, quantity 2 pieces are required for creating the link between the two power terminals of the same pole for switch bodies I and II.

The quantities of the applicable pieces then need to be multiplied by the number of connection points (power terminals) in order to determine the total quantity required of each part.

Example: For a 4 pole 2500 A SIRCOVER with upstream edgewise connection (Fig. 2) and downstream bridging (Fig. 3), the following quantities will be required:

Part	Upstream edgewise quantity	Downstream bridging quantity	Total quantity
A	8	8	16
B	0	8	8
C	8	4	12
D	8	0	8
E	0	4	4

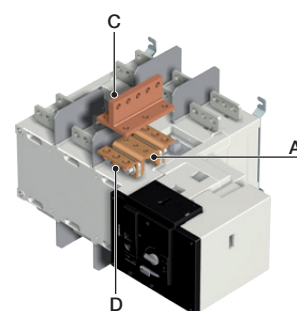
Fig. 1



access_459_a_1_x_cat

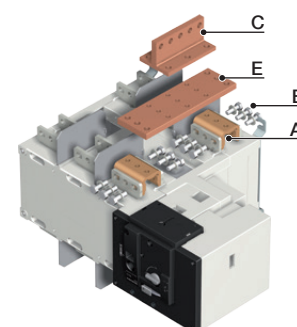
(1) Single pole connection: 1 pole (top or bottom) comprises two power terminals which are to be linked with the copper connection kit.

Fig. 2



access_460_a_1_x_cat

Fig. 3



access_461_a_1_x_cat

ATyS range

ATyS r, ATyS g, ATyS p
from 125 to 3200 A

Accessories (continued)

Autotransformer

Use

For applications without neutral, this autotransformer provides the 230 VAC required to power these ATyS products.

Specified protection for the autotransformer:

- Protection of the primary:
fuse holder ref 57010020 + fuse ref 60130000
- Protection of the secondary:
fuse holder ref 57010015 + fuse ref 60130001.

Rating (A)	Frame size	Reference
125 ... 3200	B3 ... B8	1599 4064

DC power supply

Use

Allows an ATyS to be supplied from a 12 or 24 VDC source. To be positioned as close as possible to the DC power supply source.

Rating (A)	Frame size	Operating voltage	Reference
125 ... 1600	B3 ... B7	24 VDC / 230 VAC	1599 5112

Voltage sensing and power supply kit

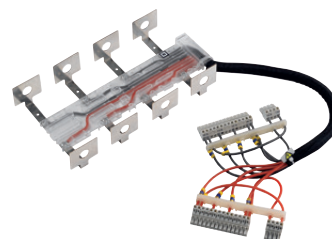
Use

For power supply and voltage measurement (4 wire, three-phase) for the ATyS g and p. Routing of the conductors is controlled, which means that no specific protective device is necessary for these connections.

The kit can be fitted on the top or bottom of the switch.

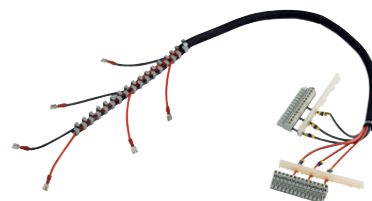
Note: the 3-pole version does not integrate the power supply.

125 to 630 A kit



atys_606_a_1_cat

800 to 3200 A kit



atys_603_a_2_cat

For ATyS g and ATyS p - 3 pole

Rating (A)	Frame size	Reference
125 ... 200	B3	1559 3012
250	B4	1559 3025
315 ... 400	B4	1559 3040
500 ... 630	B5	1559 3063
800 ... 1000	B6	1559 3080
1250	B6	1559 3120
1600	B7	1559 3160
2000 ... 3200	B8	1559 3200

For ATyS g and ATyS p - 4 pole

Rating (A)	Frame size	Reference
125 ... 200	B3	1559 4012
250	B4	1559 4025
315 ... 400	B4	1559 4040
500 ... 630	B5	1559 4063
800 ... 1000	B6	1559 4080
1250	B6	1559 4120
1600	B7	1559 4160
2000 ... 3200	B8	1559 4200

Voltage sensing tags

Use

For use with ATyS r, g and p, the voltage sensing tags allow voltage to be tapped directly off of ATyS power terminals to provide a supply to, for example, a control circuit or source presence indicator lamps.

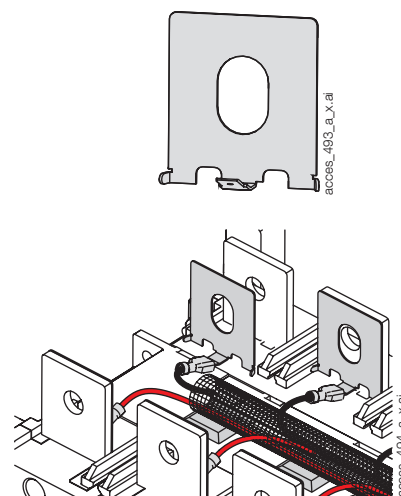
Voltage sensing tags are equipped with a Faston connector and can be mounted on the top or bottom side of the transfer switch.

With ATyS r, this accessory allows easy connection to an ATyS C25 / C35 controller via the ATyS C25 cable harness.

1 pack contains 8 voltage sensing tags.

Voltage sensing tags are integrated on ATyS $\geq 800A$.

Rating (A)	Frame size	Reference
125 ... 200	B3	9599 4020
250 ... 400	B4	9599 4040
500 ... 630	B5	9599 4063



ATyS C25 / C35 cable harness

Use

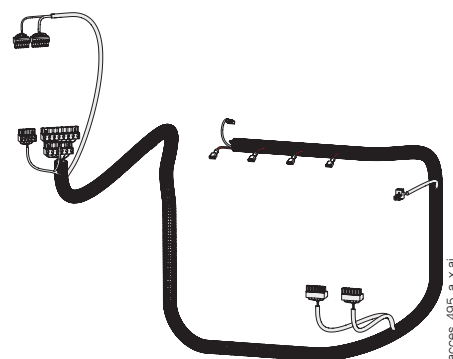
The ATyS C25 / C35 cable harness is a fast and reliable solution for connecting an ATyS r transfer switch to a C25 / C35 controller in order to create an Automatic Transfer Switch. It is equipped with Faston voltage tap-offs and provides a safe connection between the controller and changeover switch for:

- monitoring availability of the incoming power sources,
- monitoring changeover switch status,
- providing an electrical interlock function,
- automatic control and transfer between power sources.

Provides a DPS auxiliary supply to the ATyS r. Cable harness length is approximately 2 metres.

The cable harness is for use with 4 pole ATyS r only and requires neutral conductors to be on the right side of the transfer switch.

For ATyS r $\leq 630A$ it is necessary to order voltage sensing tags separately (required for voltage tap-off connections).



For ATyS r connection to a C25 / C35 controller		
Rating (A)	Frame size	Reference
125 ... 630	B3 ... B5	9529 4063
800 ... 3250	B6 ... B8	9529 4080

ATyS range

ATyS r, ATyS g, ATyS p
from 125 to 3200 A

Accessories (continued)

Voltage relay

Use

The DS is a voltage relay for monitoring a single power supply.

If it detects a fault in the source, the fault relay contact closes.



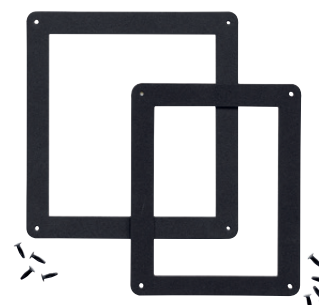
atys_762_a_1_cat

Rating (A)	Reference
DS	192X 0056

Door protective surround

Use

Door surround to provide a clean and safe finish to the panel's cut-out.



atys_595_a_2_cat

For ATyS		
Rating (A)	Frame size	Reference
125 ... 630	B3 ... B5	1529 0012
800 ... 3200	B6 ... B8	1529 0080

For ATyS g and p		
Rating (A)	Frame size	Reference
125 ... 630	B3 ... B5	1539 0012
800 ... 3200	B6 ... B8	1539 0080

Auxiliary contact

Use

Pre-break and signalling of positions I and II: each reference provides 1 NO/NC auxiliary contact for positions I and II. Possibility to install up to 2 auxiliary contacts for each position. Suitable for use as a 1st or 2nd auxiliary contact.

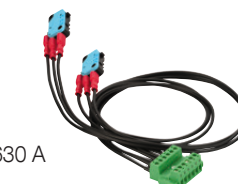
Low level AC: contact us. ATyS are supplied with 1 NO aux contact for all three positions as standard which are located in the motor unit.



800 to 1600 A

access_396_a

If additional auxiliary contacts are required please consult us.



125 to 630 A

access_397_a

Rating (A)	Frame size	Nominal current (A)	Operating current I _o (A)			
			250 VAC AC-13	400 VAC AC-13	24 VDC DC-13	48 VDC DC-13
125 ... 3200	B3 ... B8	16	12	8	14	6

Rating (A)	Frame size	Type of mounting	Reference
125 ... 630	B3 ... B5	Customer fit	1599 0502
800 ... 1600	B6 ... B7	Customer fit	1599 0532
2000 ... 3200	B8	-	2 AC per position fitted as standard

3 position padlocking (I - 0 - II)

Use

Enables the product to be padlocked in positions 0, I and II (factory fitted).



atys_867_a

Rating (A)	Frame size	Reference
125 ... 630	B3 ... B5	9599 0003
800 ... 3200	B6 ... B8	9599 0004

Key handle interlocking system

Use

With the product in manual mode, it enables locking in position 0 using a RONIS EL11AP lock (factory fitted).

As standard, locking in position 0. With the 3 position padlocking accessory: key interlocking in I, 0 & II.

Locks (key N° random) :

- RONIS EL11AP ref 4409 8511
- TRAYVOU XOP10 ref 4409 8601



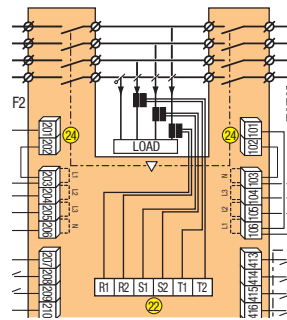
atys_866_a

Rating (A)	Frame size	Reference
125 ... 630	B3 ... B5	9599 1006
800 ... 3200	B6 ... B8	9599 1004

Current transformer

Use - for ATyS p only

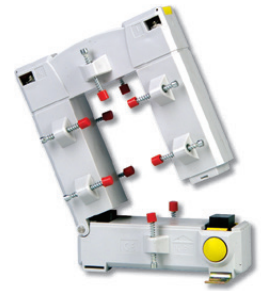
Used with ATyS p units, these current transformers enable information to be obtained on the load current.



atys_629_c_1_x_cat



trafo_005_a_2_cat



trafo_007_b_1_cat

Plug-in optional modules

Use - for ATyS g and ATyS p

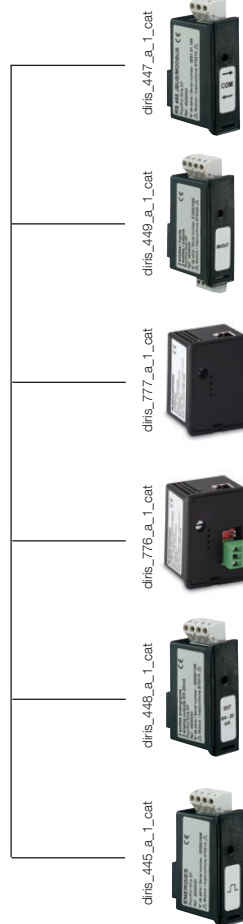
Number of modules per device

ATyS g: Compatible with RS485 JBUS/MODBUS module only. One module maximum can be installed (can be fitted in any slot).

ATyS p: A maximum of four modules can be fitted. With Ethernet communication module installation, only 2 additional modules can be fitted.



atys_016_c_1_cat



RS485 JBUS / MODBUS® communication

- RS485 link with JBUS / MODBUS® protocol (speed up to 38400 bauds).

2 inputs - 2 outputs

- 2 inputs and 2 outputs (programmable) on each module.

Ethernet communication

- Ethernet link with MODBUS/TCP or JBUS/MODBUS RTU over TCP.
- Embedded Ethernet Webserver software.

Ethernet communication with RS485 JBUS/MODBUS gateway

- Ethernet link with MODBUS/TCP or JBUS/MODBUS RTU over TCP.
- Connect 1 to 247 RS485 JBUS/MODBUS slaves.
- Embedded Ethernet Webserver software.

Analogue outputs

- Allocate outputs to: 3I, In, 3V, 3U, F, ± ΣP, ± ΣQ, ΣS.

Pulse outputs

- 2 configurable pulse outputs (type, weight and duration) on ±kWh, ±kvarh and kVAh.

Description of accessories	Suitable for	Reference
RS485 MODBUS communication	ATyS g & p	4825 0092
2 inputs - 2 outputs	ATyS p	1599 2001
Ethernet communication (embedded Ethernet Webserver software)	ATyS p	4825 0203
Ethernet communication + RS485 JBUS/MODBUS gateway (embedded Ethernet Webserver software)	ATyS p	4825 0204
Analogue outputs	ATyS p	4825 0093
Pulse outputs	ATyS p	4825 0090

ATyS range

ATyS r, ATyS g, ATyS p
from 125 to 3200 A

Accessories (continued)

Remote interfaces

Use

To remotely display source availability and position indication typically used on the front of a panel when the product is enclosed. Interfaces are powered from the ATyS transfer switch via the RJ45 connection cable. Maximum cable length: 3 m.

D10 - for ATyS g

To display source availability and position indication on the front panel of an enclosure. Protection degree: IP21

D20 - for ATyS p

In addition to the functions of the D10, the D20 displays measurements and enables control and configuration from the front of a panel.

Protection degree: IP21

Door mounting

2 holes Ø 22.5.

ATyS transfer switch via RJ45 cable, not isolated. Cable available as an accessory.

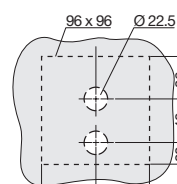


atys_564_d_1_cat

atys_565_d_1_cat



atys_597_a_1_cat



atys_161_a_1_x_cat

RJ45 port to connect to ATyS.

Drilling

Description of accessories	Suitable for	Reference
D10	ATyS g	9599 2010
D20	ATyS p	9599 2020

Connecting cable for remote interfaces

Use

To connect between a remote interface (type D10 or D20) and a control product (ATyS g or p).

Characteristics

RJ45 8 straight-through, non insulated cables, length 3 m.



access_209_a_2_cat

For ATyS g and p		
Type	Length	Reference
RJ45 cable	3 m	1599 2009

Sealable cover

Use - for ATyS g

Prevents access to the configuration of ATyS g devices (seals supplied).

Rating (A)	Frame size	Reference
125 ... 3200	B3 ... B8	9599 0000



atys_870_a

Auto/Manual key selector

Use

Replaces the standard Auto/Manual selector knob with a key selector.

Rating (A)	Frame size	Reference
125 ... 3200	B3 ... B8	9599 1007



atys_869_a

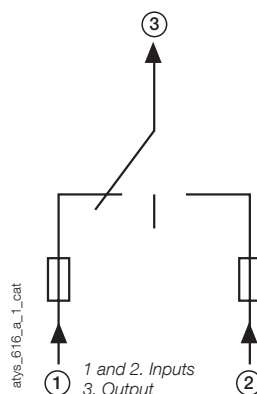
Double power supply - DPS

Use

Allows an ATyS r to be supplied by two 230 VAC, 50/60 Hz networks.

	ATyS DPS	Modular DPS
Voltage (VAC)		
Min	166	200
Max	332	288
Current (A)		
Max Output	15	3.15
Connection (mm²)		
Max	2.5	6

Description	Suitable for ATyS r	Reference
Modular DPS	125 ... 1600 A	1599 4001
ATyS DPS	125 ... 3200 A	9539 2001



atys_616_a_1_cat



atys_612_a_2_cat



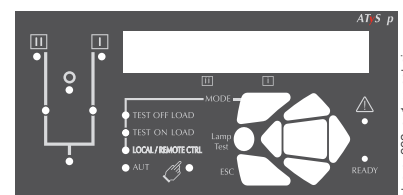
atys-d_001_psd

Spares

ATyS p front panel

This front panel is used, for the ATyS p only, if source 2 is connected to unit I and source 1 is connected to unit II. Positions I and II are reversed on the front panel.

Product model	Reference
ATyS p	9599 1008



atys-p_002_a_1_X_cat.ai

Electronic module - controller

The electrical components of the ATyS g and p are easy to replace in case there is a problem, even when on-load.

Product model	Reference
ATyS g	9559 2001
ATyS p	9579 2001



atys-p_001_b

Motorisation module

The motor units of the ATyS r, g and p are easy to replace in case there is a problem, even when on-load.

Rating (A)	Reference
125 ... 200	9509 5020
250 ... 400	9509 5040
500 ... 630	9509 5063
800 ... 1250	9509 5120
1600	9509 5160
2000 ... 3200	9509 5320



atys_b71_a

Switching module

If you need to replace just the switching part on an ATyS r, g or p, order SIRCOVER items. Please refer to "SIRCOVER" pages.



svr_151_a

Characteristics according to IEC 60947-3 and IEC 60947-6-1

125 to 630 A

Thermal current I_{th} to 40°C	125 A	160 A	200 A	250 A	315 A	400 A	500 A	630 A		
Frame size	B3	B3	B3	B4	B4	B4	B5	B5		
Rated insulation voltage U_i (V) (power circuit)	800	800	800	1000	1000	1000	1000	1000		
Rated impulse withstand voltage U_{imp} (kV) (power circuit)	8	8	8	12	12	12	12	12		
Rated insulation voltage U_i (V) (control circuit)	300	300	300	300	300	300	300	300		
Rated impulse withstand voltage U_{imp} (kV) (control circuit)	4	4	4	4	4	4	4	4		
Rated operational currents I_e (A) according to IEC 60947-6-1										
Rated voltage	Utilisation category									
415 VAC	AC-31 B		125	160	200	250	315	400	500	630
415 VAC	AC-32 B					200	315	400	500	500
415 VAC	AC-33 B					200	200	200	400	400
Rated operational currents I_e (A) according to IEC 60947-3										
Rated voltage	Utilisation category	A/B⁽¹⁾	A/B⁽¹⁾	A/B⁽¹⁾	A/B⁽¹⁾	A/B⁽¹⁾	A/B⁽¹⁾	A/B⁽¹⁾	A/B⁽¹⁾	
415 VAC	AC-21 A / AC-21 B	125/125	160/160	200/200	250/250	315/315	400/400	500/500	630/630	
415 VAC	AC-22 A / AC-22 B	125/125	160/160	200/200	250/250	315/315	400/400	500/500	630/630	
415 VAC	AC-23 A / AC-23 B	125/125	160/160	200/200	200/200	315/315	400/400	500/500	500/630	
500 VAC	AC-21 A / AC-21 B	125/125	160/160	200/200	250/250	315/315	400/400	500/500	630/630	
500 VAC	AC-22 A / AC-22 B	125/125	160/160	200/200	200/250	200/315	200/400	500/500	500/500	
500 VAC	AC-23 A / AC-23 B	80/80	80/80	80/80	200/200	200/200	200/200	400/400	400/400	
690 VAC ⁽³⁾	AC-21 A / AC-21 B	125/125	160/160	200/200	200/200	200/200	200/200	500/500	500/500	
690 VAC ⁽³⁾	AC-22 A / AC-22 B	125/125	125/125	125/125	160/160	160/160	160/160	400/400	400/400	
690 VAC ⁽³⁾	AC-23 A / AC-23 B	63/80	63/80	63/80	125/125	125/125	125/125	400/400	400/400	
220 VDC	DC-21 A / DC-21 B	125/125	160/160	200/200	250/250	250/250	250/250	500/500	630/630	
220 VDC	DC-22 A / DC-22 B	125/125	160/160	200/200	250/250	250/250	250/250	500/500	630/630	
220 VDC	DC-23 A / DC-23 B	125/125	125/125	125/125	200/200	200/200	200/200	500/500	630/630	
440 VDC ⁽²⁾	DC-21 A / DC-21 B	125/125	125/125	125/125	200/200	200/200	200/200	500/500	630/630	
440 VDC ⁽²⁾	DC-22 A / DC-22 B	125/125	125/125	125/125	200/200	200/200	200/200	500/500	630/630	
440 VDC ⁽²⁾	DC-23 A / DC-23 B	125/125	125/125	125/125	200/200	200/200	200/200	500/500	630/630	
Current rated as conditional short-circuit with fuse gG DIN, according to IEC 60947-3										
Prospective fuse protected short-circuit withstand at 415 VAC(6)	100	100	50	50	50	50	50	50		
Prospective fuse protected short-circuit withstand at 690 VAC(kA rms)				50	50	50	50	50		
Associated fuse rating (A)	125	160	200	250	315	400	500	630		
Short-circuit withstand without protection as per IEC 60947-3										
Rated short-time withstand current 0.3s I_{cw} at 415 VAC (kA rms)	12	12	12	15 ⁽⁴⁾	15 ⁽⁴⁾	15 ⁽⁴⁾	17 ⁽⁴⁾	17 ⁽⁴⁾		
Rated short-time withstand current 1s I_{cw} at 415 VAC (kA rms)	7	7	7	8 ⁽⁴⁾	8 ⁽⁴⁾	8 ⁽⁴⁾	11 ⁽⁴⁾	10 ⁽⁴⁾		
Rated peak withstand current at 415 VAC (kA peak)	20	20	20	30	30	30	45	45		
Connection										
Minimum Cu cable cross-section as per IEC 60947-1 (mm ²)	35	35	50	95	120	185	2 x 95	2 x 120		
Recommended Cu busbar cross-section (mm ²)							2 x 32 x 5	2 x 40 x 5		
Maximum Cu cable cross-section (mm ²)	50	95	120	150	240	240	2 x 185	2 x 300		
Maximum Cu busbar width (mm)	25	25	25	32	32	32	50	50		
Min./max. tightening torque (Nm)	9/13	9/13	9/13	20/26	20/26	20/26	40/45	40/45		
Power dissipation (W/pole)	1.9	3.2	4.1	5.9	7.8	15.1	17	32.4		
Switching time (rated voltage, after receiving command)										
Transfer time I-II or II-I (s)	0.85	0.85	0.85	0.9	0.9	0.9	0.95	0.95		
I-0 or II-0 (s)	0.55	0.55	0.55	0.5	0.5	0.5	0.55	0.55		
Contact transfer time ("black-out" I-II) minimum (s)	0.3	0.3	0.3	0.4	0.4	0.4	0.4	0.4		
Power supply										
Min./max. auxiliary power supply (VAC)	166/332	166/332	166/332	166/332	166/332	166/332	166/332	166/332		
Control supply power demand										
Inrush / nominal power (VA) - ATyS r	184/92	184/92	184/92	276/115	276/115	276/115	276/150	276/150		
Inrush / nominal power (VA) - ATyS g, p	206/114	206/114	206/114	298/137	298/137	298/137	298/172	298/172		
Mechanical specifications										
Durability (number of operating cycles)	10,000	10,000	10,000	8,000	8,000	8,000	5,000	5,000		
Weight ATyS r 3 P / 4 P (kg)	5.7/ 6.9	5.7/ 6.9	5.7/ 6.9	6.6/ 7.4	6.7/ 7.8	6.7/ 7.8	11.4/ 13.3	11.9/ 14.0		
Weight ATyS g, p 3 P / 4 P (kg)	6.8/ 8.0	6.8/ 8.0	6.8/ 8.0	7.7/ 8.5	7.8/ 8.9	7.8/ 8.9	12.5/ 14.4	13.0/ 15.1		

(1) Category with index A = frequent operation - Category with index B = infrequent operation. (3) Interphase barriers must be installed on the products.

(2) 3-pole device with 2 pole in series for the "+" an 1 pole for the "-".

(4) Values given at 690 VAC.

4-pole device with 2 poles in series by polarity.

800 to 3200 A

Thermal current I_{th} at 40°C	800 A	1000 A	1250 A	1600 A	2000 A	2500 A	3200 A	
Frame size	B6	B6	B6	B7	B8	B8	B8	
Rated insulation voltage U_i (V) (power circuit)	1000	1000	1000	1000	1000	1000	1000	
Rated impulse withstand voltage U_{imp} (kV) (power circuit)	12	12	12	12	12	12	12	
Rated insulation voltage U_i (V) (control circuit)	300	300	300	300	300	300	300	
Rated impulse withstand voltage U_{imp} (kV) (control circuit)	4	4	4	4	4	4	4	
Rated operational currents I_e (A) according to IEC 60947-6-1								
Rated voltage	Utilisation category							
415 VAC	AC-31 B	800	1000	1250	1600	2000	2500	3200
415 VAC	AC-32 B	800	1000	1250	1250	2000	2000	2000
415 VAC	AC-33 B	800	1000	1000	1000	1250	1250	1250
Rated operational currents I_e (A) according to IEC 60947-3								
Rated voltage	Utilisation category	A/B⁽¹⁾	A/B⁽¹⁾	A/B⁽¹⁾	A/B⁽¹⁾	A/B⁽¹⁾	A/B⁽¹⁾	A/B⁽¹⁾
415 VAC	AC-21 A / AC-21 B	800/800	1000/1000	1250/1250	1600/1600	-/2000	-/2500	-/3200
415 VAC	AC-22 A / AC-22 B	800/800	1000/1000	1250/1250	1600/1600	-/2000	-/2500	-/3200
415 VAC	AC-23 A / AC-23 B	800/800	1000/1000	1250/1250	1250/1250	-/1600	-/1600	-/1600
500 VAC	AC-21 A / AC-21 B	800/800	1000/1000	1250/1250	1600/1600	-/2000	-/2000	-/2000
500 VAC	AC-22 A / AC-22 B	630/630	800/800	1000/1000	1600/1600			
500 VAC	AC-23 A / AC-23 B	630/630	630/630	800/800	1000/1000			
690 VAC ⁽³⁾	AC-21 A / AC-21 B	800/800	1000/1000	1250/1250	1600/1600	-/2000	-/2000	-/2000
690 VAC ⁽³⁾	AC-22 A / AC-22 B	630/630	800/800	1000/1000	1000/1000			
690 VAC ⁽³⁾	AC-23 A / AC-23 B	630/630	630/630	800/800	800/800			
220 VDC	DC-21 A / DC-21 B	800/800	1000/1000	1250/1250	1250/1250			
220 VDC	DC-22 A / DC-22 B	800/800	1000/1000	1250/1250	1250/1250			
220 VDC	DC-23 A / DC-23 B	800/800	1000/1000	1250/1250	1250/1250			
440 VDC ⁽²⁾	DC-21 A / DC-21 B	800/800	1000/1000	1250/1250	1250/1250			
440 VDC ⁽²⁾	DC-22 A / DC-22 B	800/800	1000/1000	1250/1250	1250/1250			
440 VDC ⁽²⁾	DC-23 A / DC-23 B	800/800	1000/1000	1250/1250	1250/1250			
Current rated as conditional short-circuit with fuse gG DIN, according to IEC 60947-3								
Prospective fuse protected short-circuit withstand at 415 VAC(kA rms)	50	50	100	100				
Prospective fuse protected short-circuit withstand at 690 VAC(kA rms)	50	50	50					
Associated fuse rating (A)	800	1000	1250	2x800				
Short-circuit withstand without protection as per IEC 60947-3								
Rated short-time withstand current 0.3s I_{sc} at 415 VAC (kA rms)	64	64	64	78	78	78	78	
Rated short-time withstand current 1s I_{sc} at 415 VAC (kA rms)	35	35	35	50	50	50	50	
Rated peak withstand current at 415 VAC (kA peak)	55	55	80	110	120	120	120	
Connection								
Minimum Cu cable cross-section as per IEC 60947-1 (mm ²)	2 x 185							
Recommended Cu busbar cross-section (mm ²)	2 x 50 x 5	2 x 63 x 5	2 x 60 x 7	2 x 100 x 5	3 x 100 x 5	2 x 100 x 10	3 x 100 x 10	
Maximum Cu cable cross-section (mm ²)	4 x 185	4 x 185	4 x 185	6 x 185				
Maximum Cu busbar width (mm)	63	63	63	100	100	100	100	
Min./max. tightening torque (Nm)	9/13	9/13	20/26	40/45	40/45	40/45	40/45	
Power dissipation (W/pole)	41.7	46.9	93.3	122	178	255	330	
Switching time (rated voltage, after receiving command)								
Transfer time I-II or II-I (s)	2.8	2.8	2.8	2.9	2.8	2.8	2.8	
I-0 or II-0 (s)	1.4	1.4	1.4	1.4	1.8	1.8	1.8	
Contact transfer time ("black-out" I-II) minimum (s)	1.4	1.4	1.4	1.5	1	1	1	
Power supply								
Min./max. auxiliary power supply (VAC)	166/332	166/332	166/332	166/332	166/332	166/332	166/332	
Control supply power demand								
Inrush / nominal power (VA) - ATyS r,	460/184	460/184	460/184	460/230	812/322	812/322	812/322	
Inrush / nominal power (VA) - ATyS g, p	482/206	482/206	482/206	482/252	834/344	834/344	834/344	
Mechanical specifications								
Durability (number of operating cycles)	4,000	4,000	4,000	3,000	3,000	3,000	3,000	
Weight ATyS r 3 P / 4 P (kg)	27.9/ 32.2	28.4/ 32.9	28.9/ 33.6	33.1/ 39.4	50.7/ 61.6	50.7/ 61.6	61.0/ 75.3	
Weight ATyS g, p 3 P / 4 P (kg)	29.0/ 33.3	29.5/ 34.0	30.0/ 34.7	34.2/ 40.5	51.8/ 62.7	51.8/ 62.7	62.1/ 76.4	

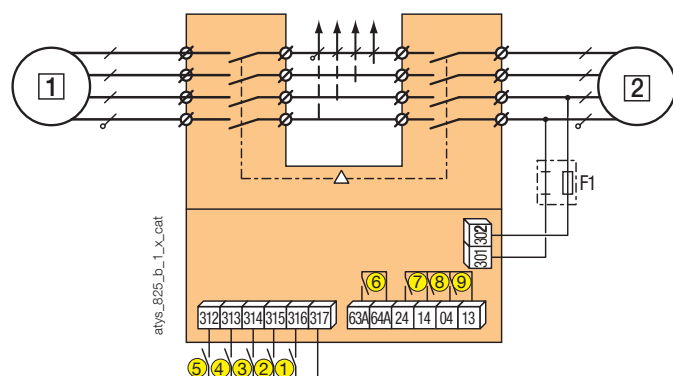
(1) Category with index A = frequent operation - Category with index B = infrequent operation. (3) Interphase barriers must be installed on the products.
 (2) 3-pole device with 2 pole in series for the "+" an 1 pole for the "-". (4) Values given at 690 VAC.
 4-pole device with 2 poles in series by polarity.

ATyS range

ATyS r, ATyS g, ATyS p
from 125 to 3200 A

Connections and terminals

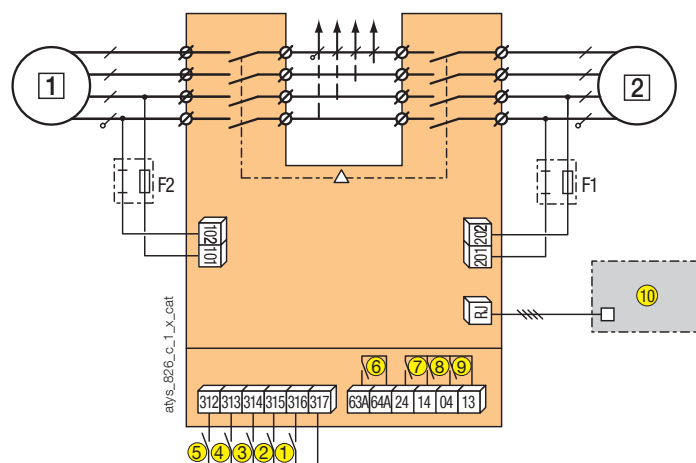
ATyS r



- 1 primary source (network or genset)
- 2 backup source (mains network or genset)

- 1 : position 0 control (contact or logic if closed)
- 2: position I control
- 3: position II control
- 4: primary control position 0
- 5: closing this contact allows position control commands
- 6: product availability relay
- 7: auxiliary contact - closed when the switch is in position II
- 8: auxiliary contact - closed when the switch is in position I
- 9: auxiliary contact - closed when the switch is in position 0

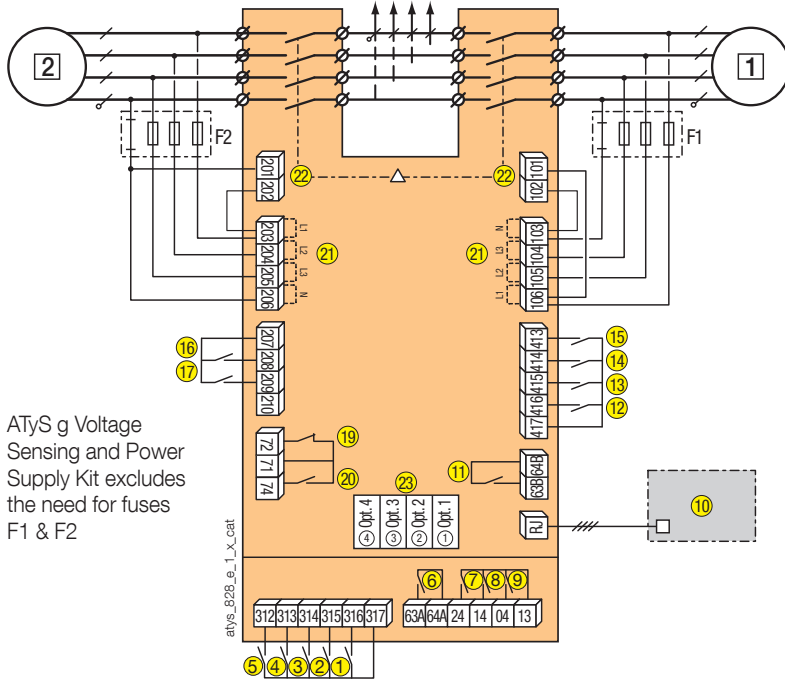
ATyS r with ATyS DPS



- 1 primary source (mains network or genset)
- 2 backup source (mains network or genset)

- 1 : position 0 control (contact or logic if closed)
- 2: position I control
- 3: position II control
- 4: primary control position 0
- 5: closing this contact allows position control commands
- 6: product availability relay
- 7: auxiliary contact - closed when the switch is in position II
- 8: auxiliary contact - closed when the switch is in position I
- 9: auxiliary contact - closed when the switch is in position 0
- 10: D10 remote interface

ATyS g

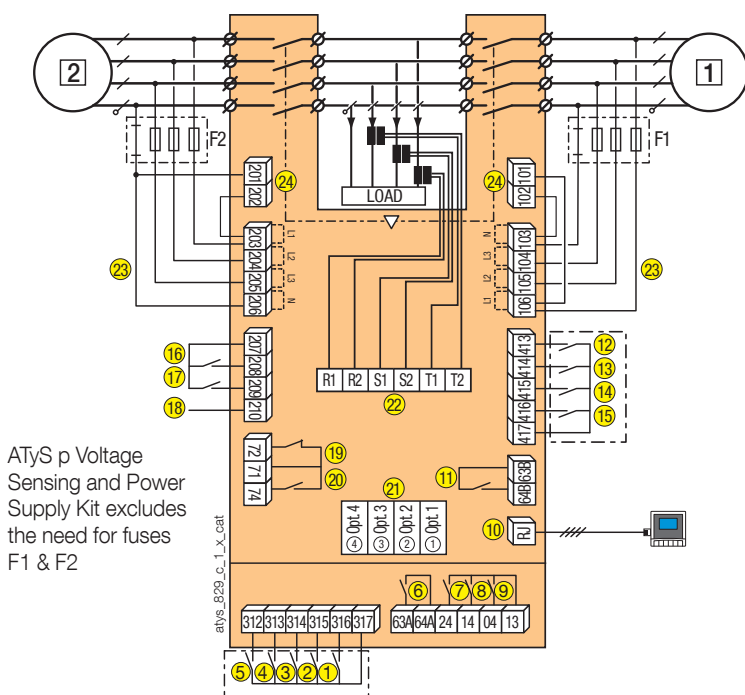


- 1 primary source (mains network)
- 2 backup source (genset or network)
- 1: position 0 control (contact or logic if closed)
- 2: position I control
- 3: position II control
- 4: primary control position 0
- 5: closing this contact allows position control commands
- 6: Motor unit availability relay
- 7: auxiliary contact - closed when the switch is in position II
- 8: auxiliary contact - closed when the switch is in position I
- 9: auxiliary contact - closed when the switch is in position 0
- 10: D10 remote interface
- 11: Electrical unit availability relay
- 12: automatic operation inhibited
- 13: confirm manual retransfer
- 14: bypass for time delay 2AT
- 15: M/G: priority test on load.
M/M: with or without priority.
- 16: remote test without load
- 17: M/G: test on load
M/M: preferred source selection
- 19-20: genset start and stop commands

Order	71/72 (19)	71/74 (20)
Genset start-up	Closed contact	Open contact
Genset stop	Open contact	Closed contact

- 21: voltage inputs
- 22: power inputs
- 23: 4 slots for optional RS485 communication module

ATyS p



- 1 primary source (network or genset)
- 2 backup source (network or genset)
- 1: position 0 control (contact or logic if closed)
- 2: position I control
- 3: control position II
- 4: primary control position 0
- 5: closing this contact allows position control commands
- 6: Motor unit availability relay
- 7: auxiliary contact - closed when the switch is in position II
- 8: auxiliary contact - closed when the switch is in position I
- 9: auxiliary contact - closed when the switch is in position 0
- 10: D20 remote interface
- 11: Electrical unit availability relay
- 12-17: programmable inputs
- 18: auxiliary power supply for optional modules
- 19-20: genset start and stop commands

Order	71/72 (19)	71/74 (20)
Genset start-up	Closed contact	Open contact
Genset stop	Open contact	Closed contact

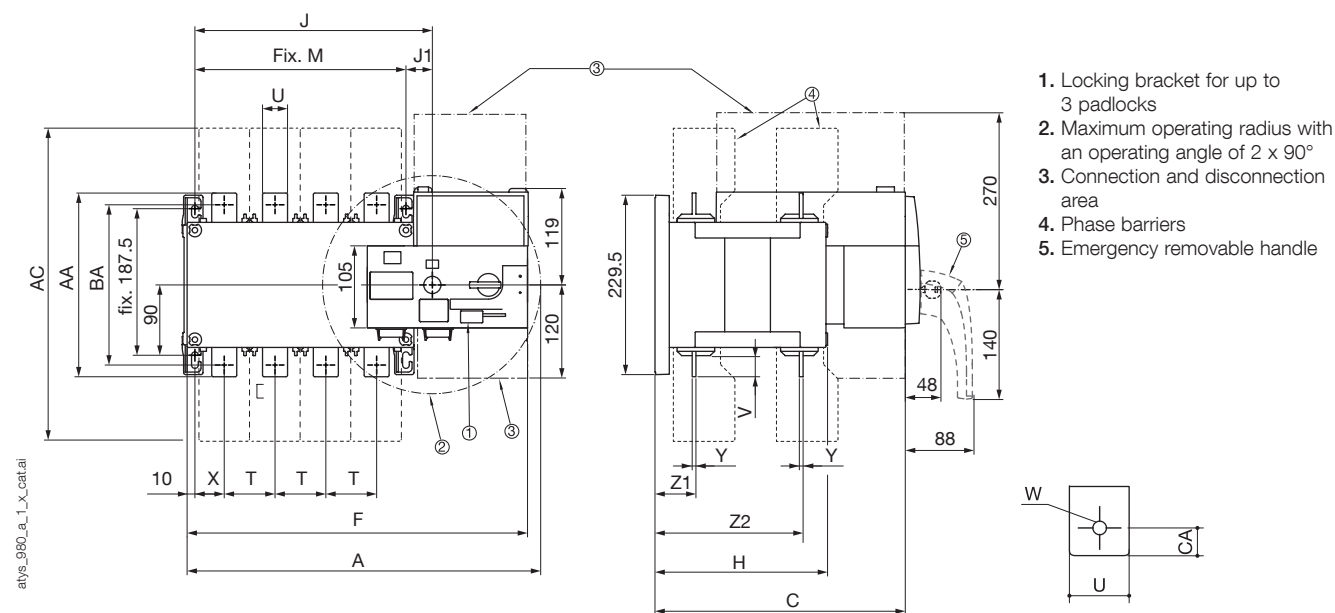
- 21: 4 slots for optional modules
- 22: TI measurement connection
- 23: voltage inputs
- 24: power inputs

ATyS range

ATyS r, ATyS g, ATyS p
from 125 to 3200 A

Dimensions

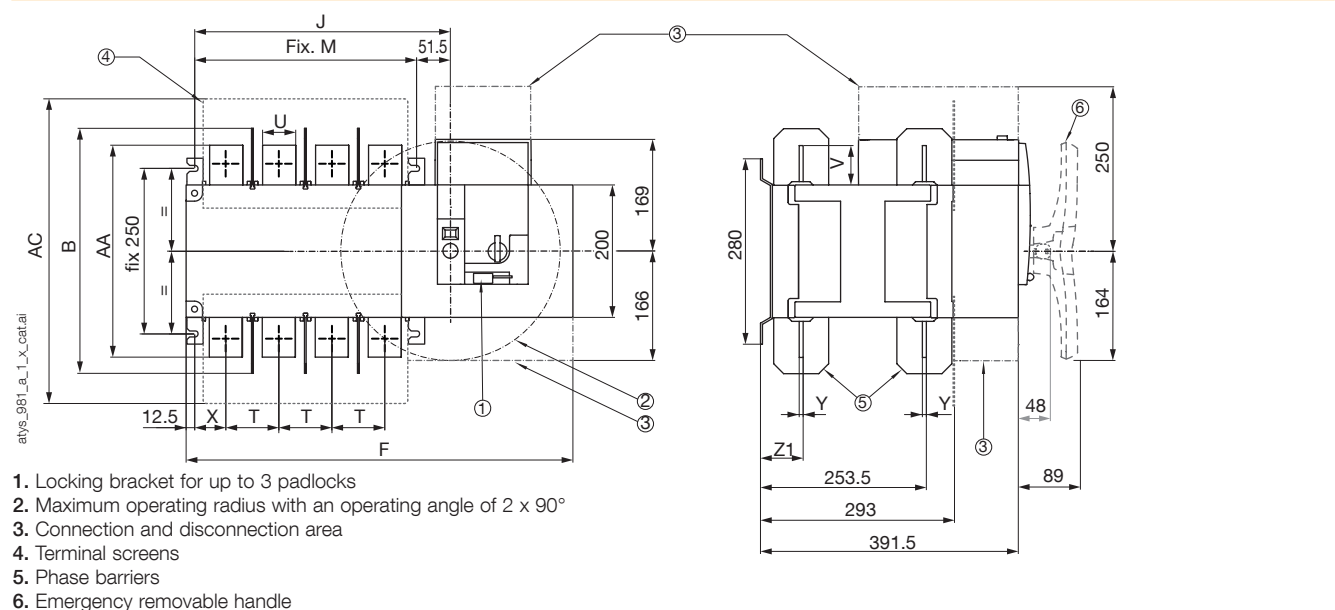
125 to 630 A / B3 to B5



1. Locking bracket for up to 3 padlocks
2. Maximum operating radius with an operating angle of $2 \times 90^\circ$
3. Connection and disconnection area
4. Phase barriers
5. Emergency removable handle

Rating (A) / Frame size	Overall dimensions			Terminal shrouds		Switch body					Switch mounting				Connection									
	A 3p.	A 4p.	C	AC	F 3p.	F 4p.	H	J 3p.	J 4p.	J1	M 3p.	M 4p.	T	U	V	W	X 3p.	X 4p.	Y	Z1	Z2	AA	BA	CA
125 / B3	304	334	244	233	286.5	317	151	154	184	34	120	250	36	20	25	9	28	22	3.5	38	134	135	115	10
160 / B3	304	334	244	233	286.5	317	151	154	184	34	120	250	36	20	25	9	28	22	3.5	38	134	135	115	10
200 / B3	304	334	244	233	286.5	317	151	154	184	34	120	250	36	20	25	9	28	22	3.5	38	134	135	115	10
250 / B4	345	395	244	288	328	378	152	195	245	35	160	210	50	25	30	11	33	33	3.5	39.5	133.5	160	130	15
315 / B4	345	395	244	288	328	378	152	195	245	35	160	210	50	35	35	11	33	33	3.5	39.5	133.5	160	130	15
400 / B4	345	395	244	288	328	378	152	195	245	35	160	210	50	35	35	11	33	33	3.5	39.5	133.5	170	140	15
500 / B5	394	454	321	402	377	437	221	244	304	34	210	270	65	32	50	14	42.5	37.5	5	53	190	260	220	20
630 / B5	394	454	321	402	377	437	221	244	304	34	210	270	65	45	50	13	42.5	37.5	5	53	190	260	220	20

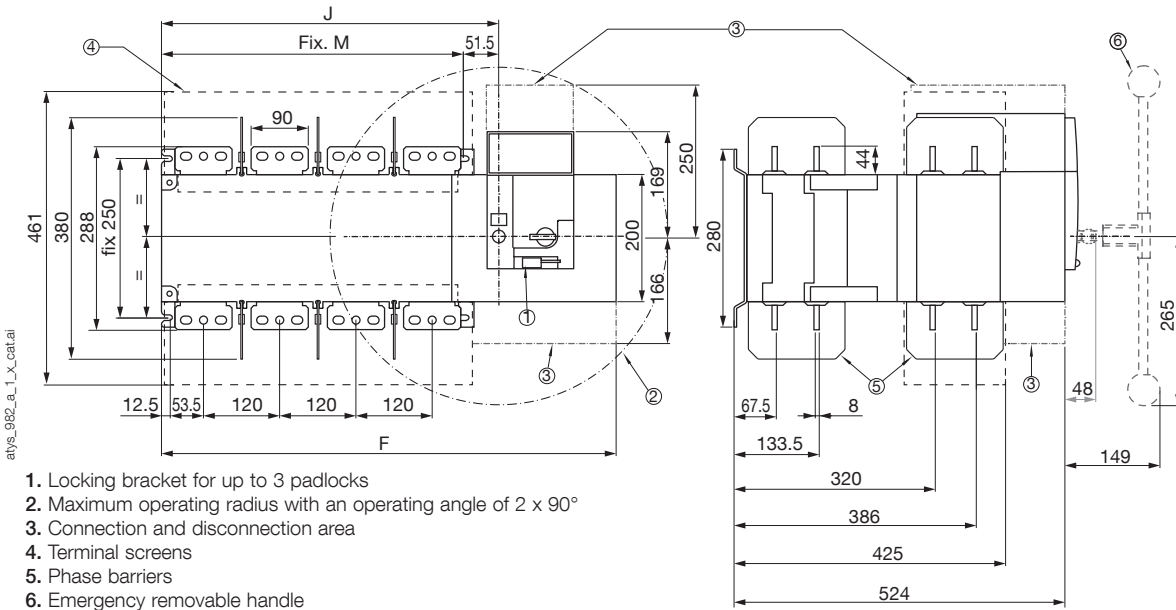
800 to 1600 A / B6 to B7



1. Locking bracket for up to 3 padlocks
2. Maximum operating radius with an operating angle of $2 \times 90^\circ$
3. Connection and disconnection area
4. Terminal screens
5. Phase barriers
6. Emergency removable handle

Rating (A) / Frame size	Overall dimensions		Terminal shrouds		Switch body				Switch mounting		Connection					
	B	AC	F 3p.	F 4p.	J 3p.	J 4p.	M 3p.	M 4p.	T	U	V	X	Y	Z1	AA	
800 / B6	370	461	504	584	307	387	255	335	80	50	60.5	47.5	7	66.5	321	
1000 / B6	370	461	504	584	307	387	255	335	80	50	60.5	47.5	7	66.5	321	
1250 / B6	370	461	504	584	307	387	255	335	80	60	65	47.5	7	66.5	330	
1600 / B7	380	531	596	716	399	519	347	467	120	90	44	53	8	67.5	288	

2000 to 3200 A / B8

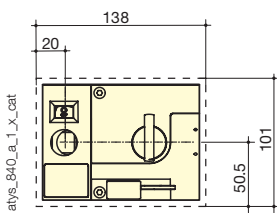


Rating (A)	Switch body				Switch mounting	
	F 3p.	F 4p.	J 3p.	J 4p.	M 3p.	M 4p.
2000 ... 3200	596	716	398.5	518.5	347	467

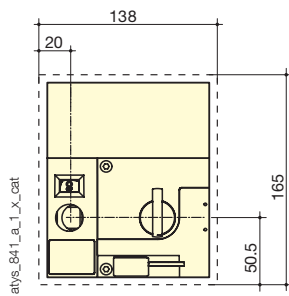
Door cutout

125 to 630 A / B3 to B5

ATyS r

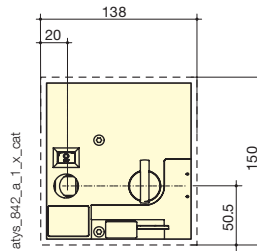


ATyS g, p

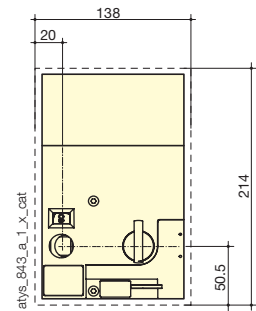


800 to 1600 A / B6 to B7

ATyS r

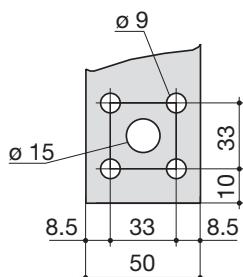


ATyS g, p

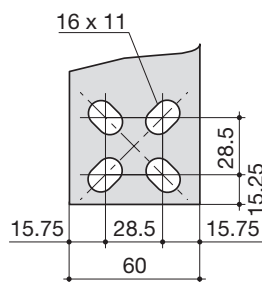


Connection terminals

800 to 1000 A / B6



1250 A / B6



1600 to 3200 A / B7 to B8

