

EN HMI

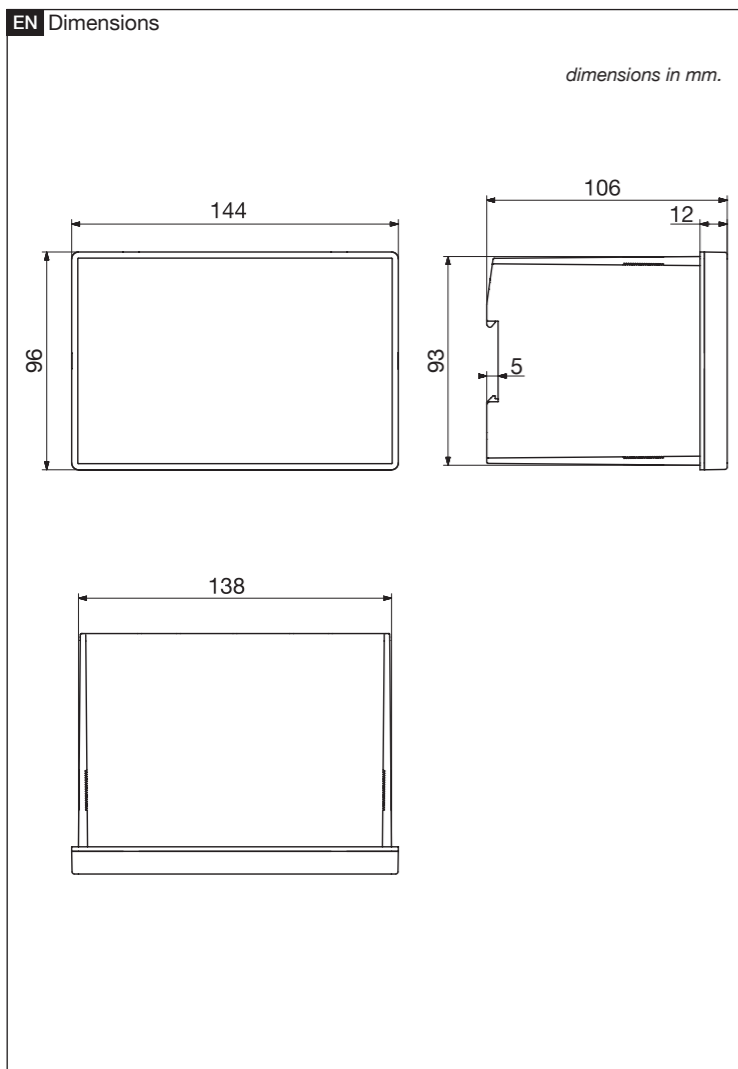
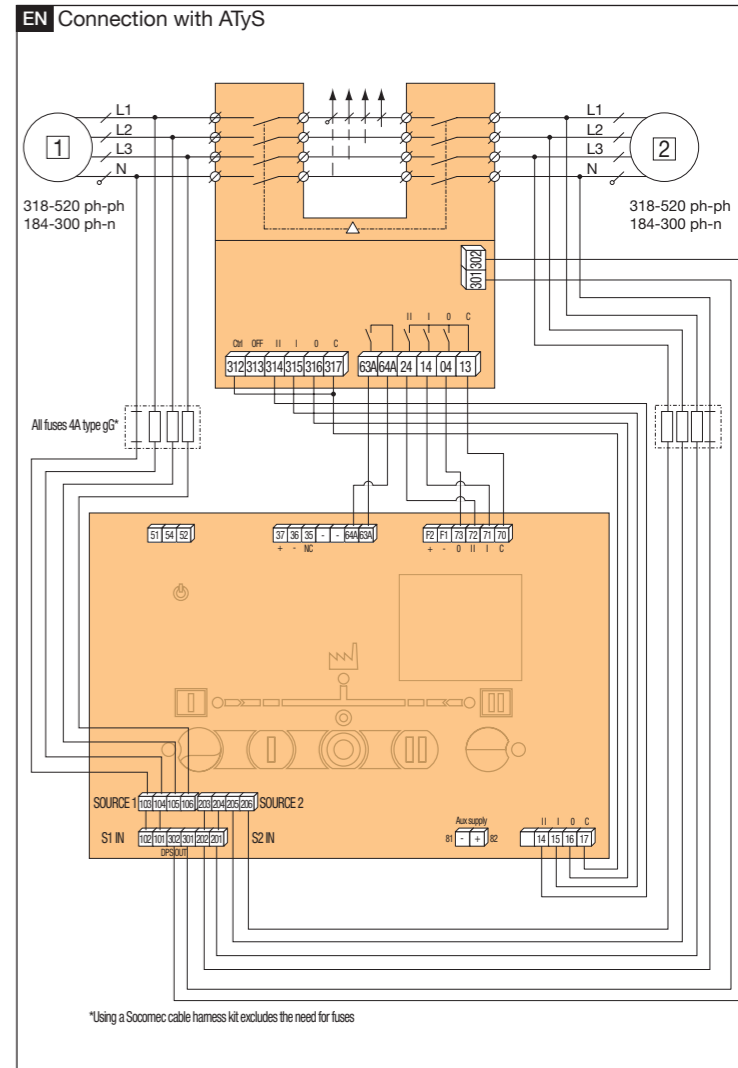
- Source 1 availability information (Green fixed when source 1 is present and available and within threshold limits, green blinking when source 1 is present but outside of threshold limits, off when under 50VAC).
- Switch 1 LED position indication (Green fixed when in position 1)
- Zero position LED indication (Yellow when in position 0)
- Load supplied information (Green fixed when load is supplied by an available source)
- Switch 2 LED position indications (Green fixed when in position 2).
- Source 2 availability information (Green fixed when source 2 is present and available and within threshold limits, green blinking when source 2 is present but outside of threshold limits, off when under 50VAC).
- Auto LED indication (Green fixed when in automatic, blinking when transfer is ongoing, off when in manual mode).
- Test LED (Yellow fixed when test on load is ongoing)
- Configurations dip switches (see settings)
- Run LED (Green when product is powered)
- COM LED (yellow blinking when RS communications is ongoing).
- Fault LED (Red blinking – long blink when fault or inhibit is activated (63A/64A open), short blink when a dip switch parameter has been changed and needs validation).
- Fire (Red when fire input is activated)

EN Hysteresis & Timers

Standards

	IEC 60947-6-1*	IEC 61010-2-201	IEC 61010-2-030	GB/T 14048.11 appendix C
Voltage Sensing		50-300Vac L/N	90-520Vac L/L'	
Measurement Cat.			CAT III	
Frequency	50-60Hz	50-60Hz	50-60Hz	50Hz
Overvoltage Cat.	III	III		III
U imp	4kV			6kV **

* When type tested with IEC 60947-6-1 RTSE ** Test level ; Between SOURCES



EN Settings

Warning : Product must be in manual mode (LED 7 OFF) for configuration changes.

After changing DIP switch settings press RES button shortly (<3s) to validate.

	1	2	3	4	5	6	7	8	Res
Network	A								
Prio set	A								
Order Mod	A								
ΔU/ΔF	A								
ODT	A								
FT	A								
RT	A								

DIP Switch	Position	Description
1. Network	A	Three phase network
	B	Single phase network
2. Prio Set	A	Priority source 1
	B	No priority
3. Order Mod	A	Control mode impulse logic
	B	Control mode contactor logic
4. ΔU/ΔF	A	Overvoltage setting at 10% of nom voltage / overfrequency setting 5% of nominal frequency (hysteresis value is 20% of ΔU/ΔF)
	B	Overvoltage setting at 20% of nom voltage / overfrequency setting 10% of nominal frequency (hysteresis value is 20% of ΔU/ΔF)
5. ODT	A	Load supply down time of 2 second (ODT = 02 sec)
	B	Load supply down time of 0 second (ODT = 0 sec)
6. FT	A	Wait time of 3s before source is lost (Fail timer = 3s)
	B	Wait time of 10s before source is lost (Fail timer = 10s)
7/8. RT	AA	Wait time of 0min (3s) before source returns (retrun timer = 0min (3s))
	AB	Wait time of 3min before source returns (retrun timer = 3min)
	BA	Wait time of 10min before source returns (retrun timer = 10min)
	BB	Wait time of 30min before source is lost returns (retrun timer = 30min)

EN Technical characteristics

Denomination	Terminal	Description	Characteristics
Control signal outputs (orders to RTSE)	14	Position II order	AC1 – General use – Ie: 5A , Ue: 250 V.a.c
	15	Position I order	DC1 – General use – Ie: 5A , Ue: 30 V.d.c
	16	Position 0 order	AC15 - Ie: 3A, Ue: 120 V.a.c
RS485	35	NC – Not connected	AC15 - Ie: 1.5A, Ue: 240 V.a.c
	36	Negative electrode	DC13 - Ie: 0.22A, Ue: 125 V.d.c
	37	Positive electrode	DC13 - Ie: 0.11A, Ue: 250 V.d.c
Genset output	51	Common point	AC1 – General use – Ie: 3A , Ue: 250 V.a.c
	52	Closed to start the Genset (closed when controller is powered off)	DC1 – General use – Ie: 3A , Ue: 30 V.d.c
	54	Open to start the genset	AC15 - Ie: 54/51: 3A 52/51: 1.5A Ue: 120 V.a.c AC15 - Ie: 54/51: 1.5A 52/51: 0.75A Ue: 240 V.a.c DC13 - Ie: 54/51: 0.22A 52/51: 0.22 A 125 V.d.c DC13 - Ie: 54/51: 0.11A 52/51: 0.11 A 250 V.d.c
Controller inhibit input	63A	Controller is inhibited when this contact is open	Do not use external voltage - Power from common point
	64A		
	70	Common point for position inputs	Do not use external voltage - Power from common point
Return of information from RTSE (Position inputs)	71	Position I RTSE	
	72	Position II RTSE	
	73	Position 0 RTSE	
Fire input	F1	Negative electrode of the 24 V.d.c	12-24 V.d.c
	F2	Positive electrode of the 24 V.d.c	
Optional Aux supply 24V.d.c	81	Negative electrode of the 24 V.d.c	10-30 V.d.c (Auxiliary supply for controller, does not supply RTSE)
	82	Positive electrode of the 24 V.d.c	
Source 1 and 2 voltage inputs	103	Source 1 N	
	104	Source 1 L1	Sensing range: 90-520 V.a.c (ph-ph)
	105	Source 1 L2	50-300 V.a.c (ph-n)
	106	Source 1 L3	45-65 Hz
	203	Source 2 N	Supply: 184-300 V.a.c* (ph-n)
	204	Source 2 L1	45-65 Hz
	205	Source 2 L2	Max consumption 10 W
DPS output (RTSE power supply)	301	Phase output	AC – General use – Ie: 6A , Ue: 250 V.a.c
	302	Neutral output	DC – General use – Ie: 6A , Ue: 30 V.d.c

