



Fuse combination switches

for special applications

Fuse protection

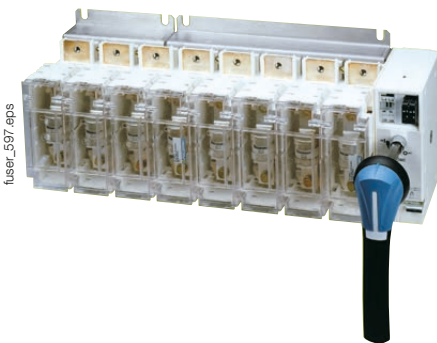
Despite already offering a wide range of fuse combination switches, SOCOMEC also manufactures specific products suitable for all your requirements. A small selection of these products can be seen on these two pages. The list is not exhaustive. Please contact us for more information.

Compliance with standards

- > IEC 60947-3
- > BS EN 60947-3
- > IEC 60269-2
- > VDE 0660-107



Multi-pole *FUSERBLOC*



Thanks to the modular concept of FUSERBLOC it is possible to produce multi-pole devices and combine ratings from 50 to 1250 A.

This is interesting when several motors need to be operated through a single handle.

Example: protecting three AC motors and a single DC motor.

This simple concept also provides a considerable space saving in electrical cabinets when compared to other solutions.

Fuse combination changeover switch



Available from 20 to 400 A, the FUSERBLOC changeover switch range is a great solution for safeguarding your energy supply and protecting and isolating pumps and sensitive loads.

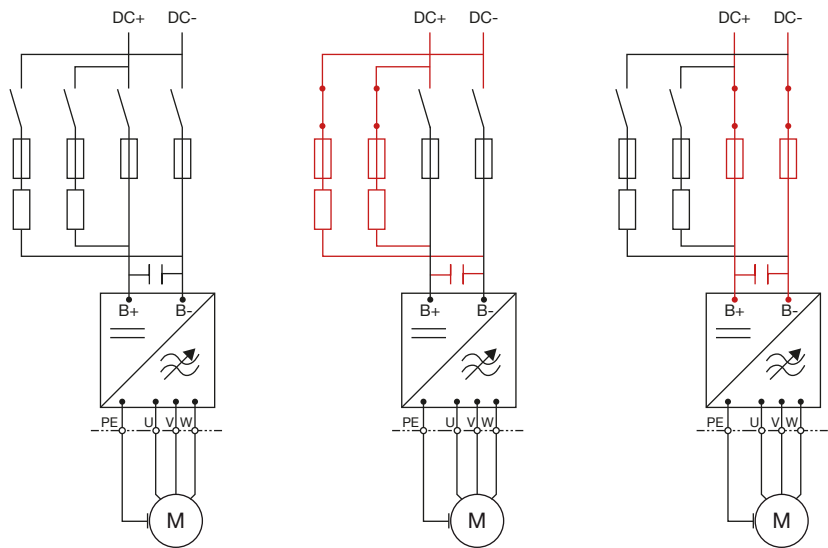
LMDC *FUSERBLOC*

fuser-lm_002.eps



Example: VSD disconnected from the common DC bus. When the inverter capacitors discharge, the direct power would otherwise prompt an inrush current that can damage the inverter, or even shut down the entire system (voltage drop). This inrush current must be limited.

Protect variable speed drives under a common DC bus.
Multifunctional device for performing maintenance work on a branch of the electrical installation while leaving the rest of the equipment switched on.
Isolation, protection and precharge switch-capacitor within a single device.



Disconnected variable speed drive and motor

The device is manually switched ON and the capacitors are charged through the precharge circuit while limiting the inrush current.

The device automatically switches over to the main protection circuit, connecting the VSD to the DC bus.

fuser-lm_012_a_1_LX_cat.ai