

IEC**IECEE**

®

™

Ref. Certif. No.

CN55586-M1

IEC SYSTEM FOR MUTUAL RECOGNITION OF TEST CERTIFICATES FOR ELECTRICAL EQUIPMENT (IECEE) CB SCHEME**CB TEST CERTIFICATE**

Product

Switch-disconnector

Name and address of the applicant

SOCOMECS.A.S
1, Rue De Westhouse 67230 Benfeld Cedex France

Name and address of the manufacturer

SOCOMECS.A.S
1, Rue De Westhouse 67230 Benfeld Cedex France

Name and address of the factory

*Note: When more than one factory, please report on page 2*SOCOMECELECTRIC (SHANGHAI) CO.,LTD
A30.NO.5399 Waiqingsong Road,Qingpu Industrial
Park,Shanghai City Additional information on page 2

Ratings and principal characteristics

See the Appendix

Trademark (if any)

SOCOMECS

Customer's Testing Facility (CTF) Stage used

N/A

Model / Type Ref.

INOSYS LBS 400A,INOSYS LBS 500A,INOSYS LBS 630A;

Additional information (if necessary may also be reported on page 2)

Original CB certificate No. is CN55586, dated 2021-12-21. The issuance of the M1 certificate is to change parameters.

A sample of the product was tested and found to be in conformity with

IEC 60947-1:2020;IEC 60947-3:2020

As shown in the Test Report Ref. No. which forms part of this Certificate

00901-CB2021CQC-099628-M1

CHINA QUALITY CERTIFICATION CENTRE CO., LTD.

Section 9, No. 188 Nansihuan Xilu, Beijing 100070 P. R. China

Tel: +86-10-83886666 Fax: +86-10-83886282

website: <http://www.cqc.com.cn>

Date: Jan.15,2025

Signature:

谢肇煦

Xie ZhaoXu



IEC**IECEE**

®

™

Ref. Certif. No.

CN55586-M1

Name of the factory	Address of the factory
SOCIETE TIMELEC SARL	ZONE INDUSTRIELLE CHEBEDA ROUTE DE FOCHANA NAASSEN 1135 NAASSEN GOUVERNORATDE BEN AROUS, Tunisia

Additional information (if necessary)

Date: Jan.15,2025

Signature:

Xie ZhaoXu

INOSYS LBS 400A, INOSYS LBS 500A, INOSYS LBS 630A

Ui:1500V;Uimp:12kV;

INOSYS LBS 400A:

Ith:400A;

2P appearance, 4P appearance:DC-21B:Ue/Ie:DC1000V/400A;

3P appearance:DC-21B,DC-PV2:Ue/Ie:DC1500V/400A;

2P appearance, 4P appearance:DC-21B,DC-PV2:Ue/Ie:DC1500V/400A;

INOSYS LBS 500A:

Ith:500A;

2P appearance, 3P appearance, 4P appearance:DC-21B,DC-PV2:Ue/Ie:DC1500V/500A;

INOSYS LBS 630A:

Ith:630A;

2P appearance, 4P appearance:DC-21B:Ue/Ie:DC1000V/630A;

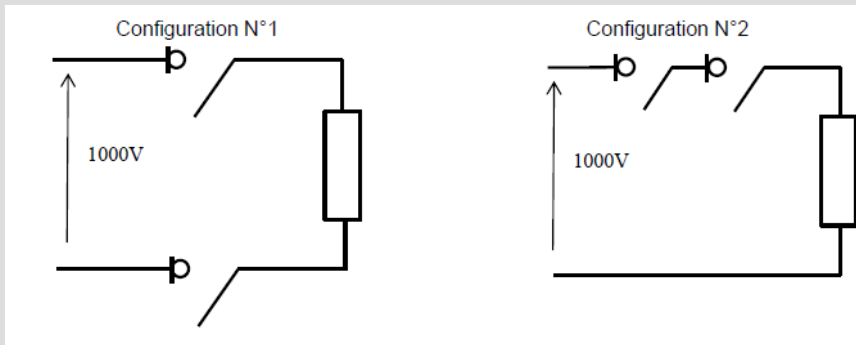
3P appearance:DC-21B,DC-PV2:Ue/Ie:DC1500V/630A;

2P appearance, 4P appearance:DC-21B,DC-PV2:Ue/Ie:DC1500V/630A;

Icw:10kA/50ms;Icm:10kA;

DC diagram:

2P appearance(400A/630A):



Additional information (if necessary)

Date:

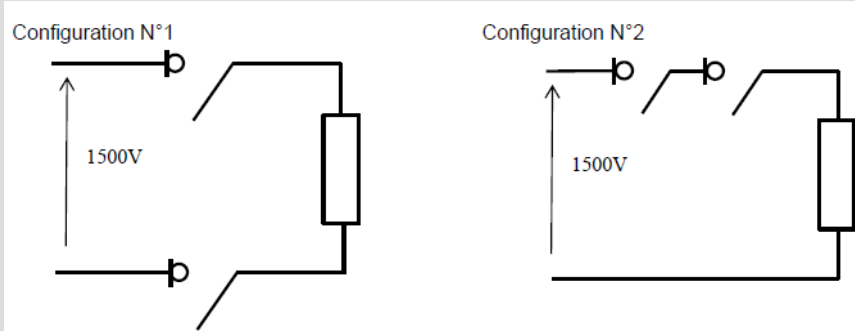
Jan.15,2025

Signature:

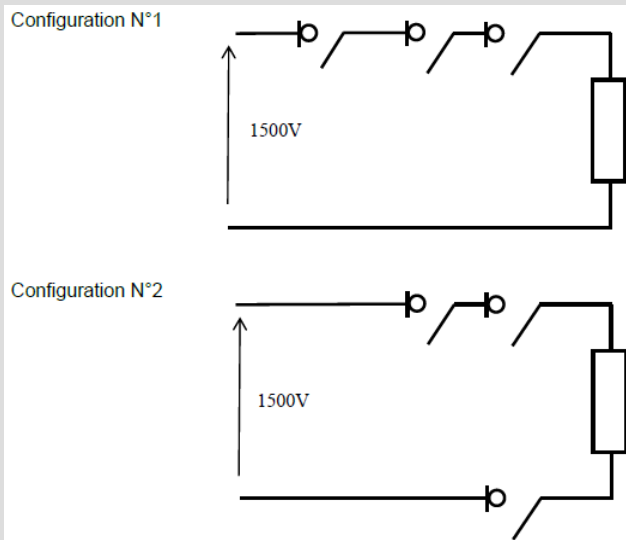
谢肇煦

Xie ZhaoXu

2P appearance(400A/500A/630A):



3P appearance(400A/500A/630A):



Page 2 of 3

Additional information (if necessary)

Date:

Jan.15,2025

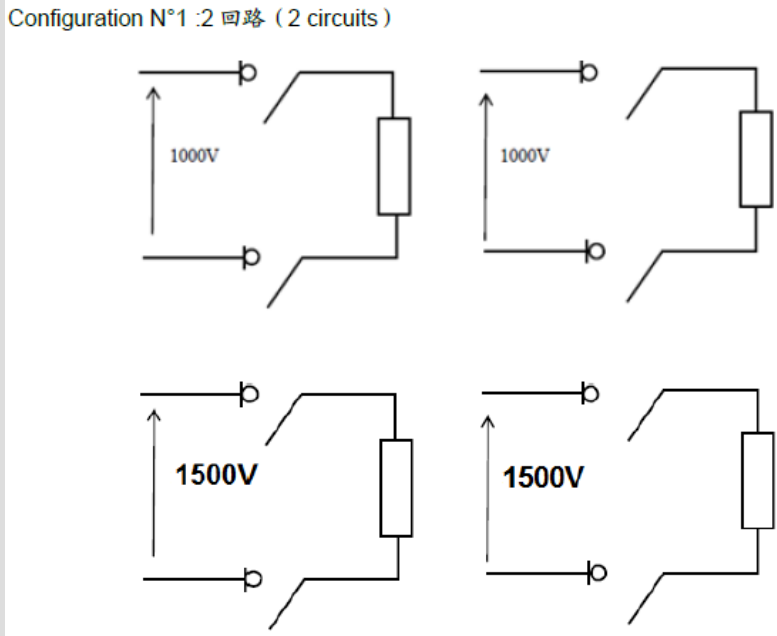
Signature:

谢肇煦

Xie ZhaoXu

4P appearance(400A/500A/630A):

Configuration N°1 :2 回路 (2 circuits)



Page 3 of 3

Additional information (if necessary)

Date:

Jan.15,2025

Signature:

谢肇煦

Xie ZhaoXu