

CORPORATE HQ CONTACT: SOCOMEC SAS, 1-4 RUE DE WESTHOUSE, 67235 BENFELD, FRANCE.
Print: 80 g/m² - A3 > 70 x 100 mm - F/V - B&W - The bar code must be visible once the document is folded. Non contractual document. © 2026, Socomec SAS. All rights reserved.

QUICK START GUIDE



Installation kit for seismic option

MODULYS XM 500 and 650 system

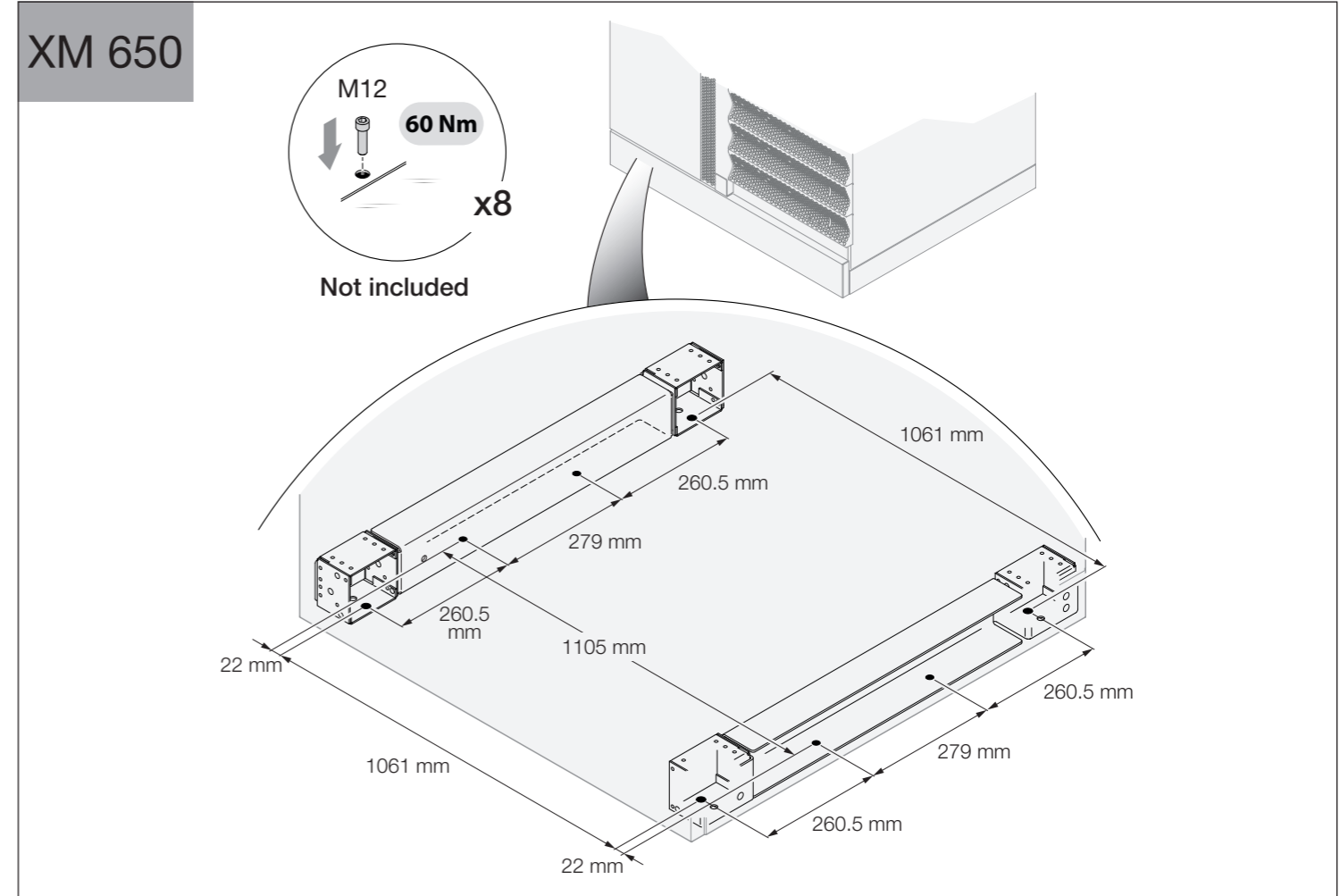


Socomec Resource Center
To download, brochures, catalogues
and technical manuals

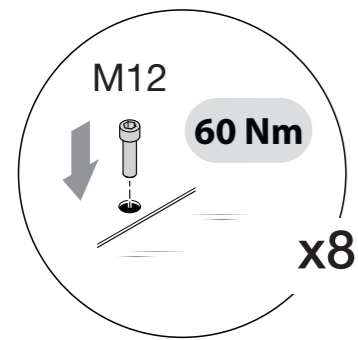


	WOOD		PLASTIC
	CARDBOARD		PLASTIC
	PAPERBOARD		PLASTIC
	PAPER		PLASTIC

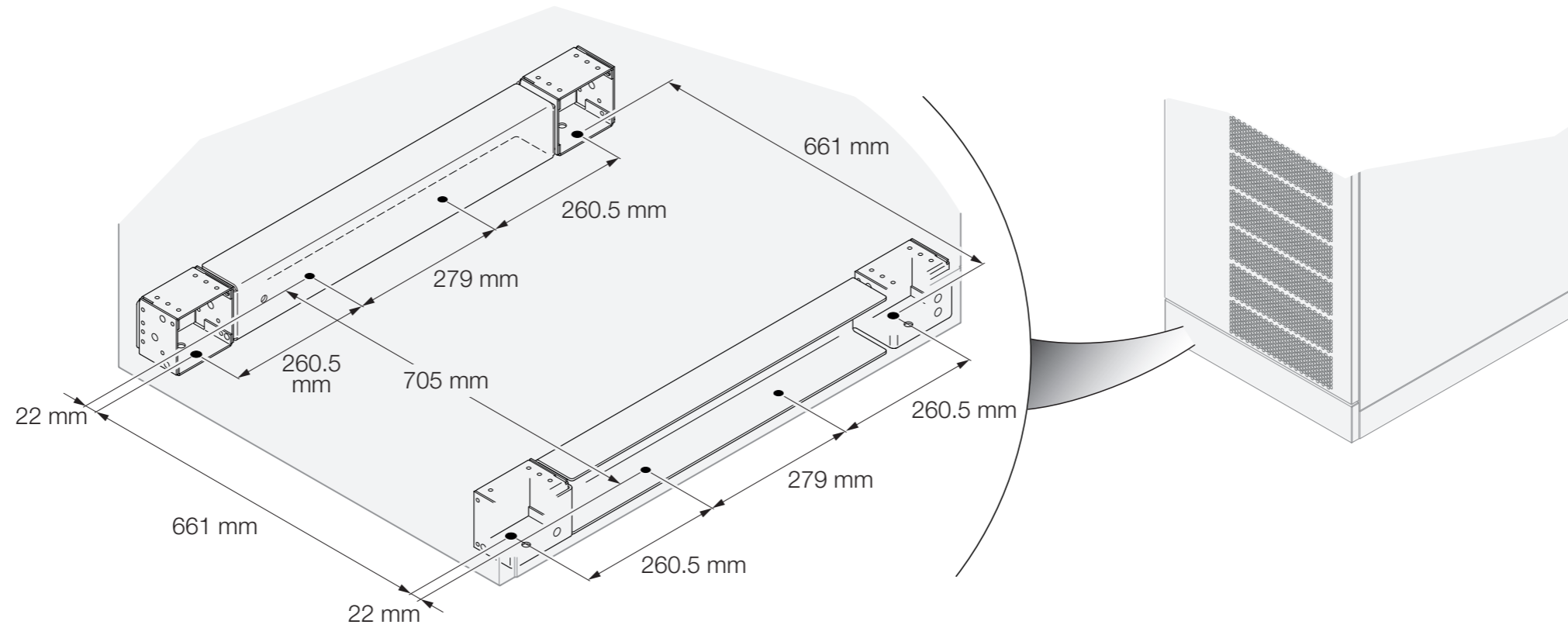
Check your local municipality for waste disposal regulation for recycling.



XM 500



Not included

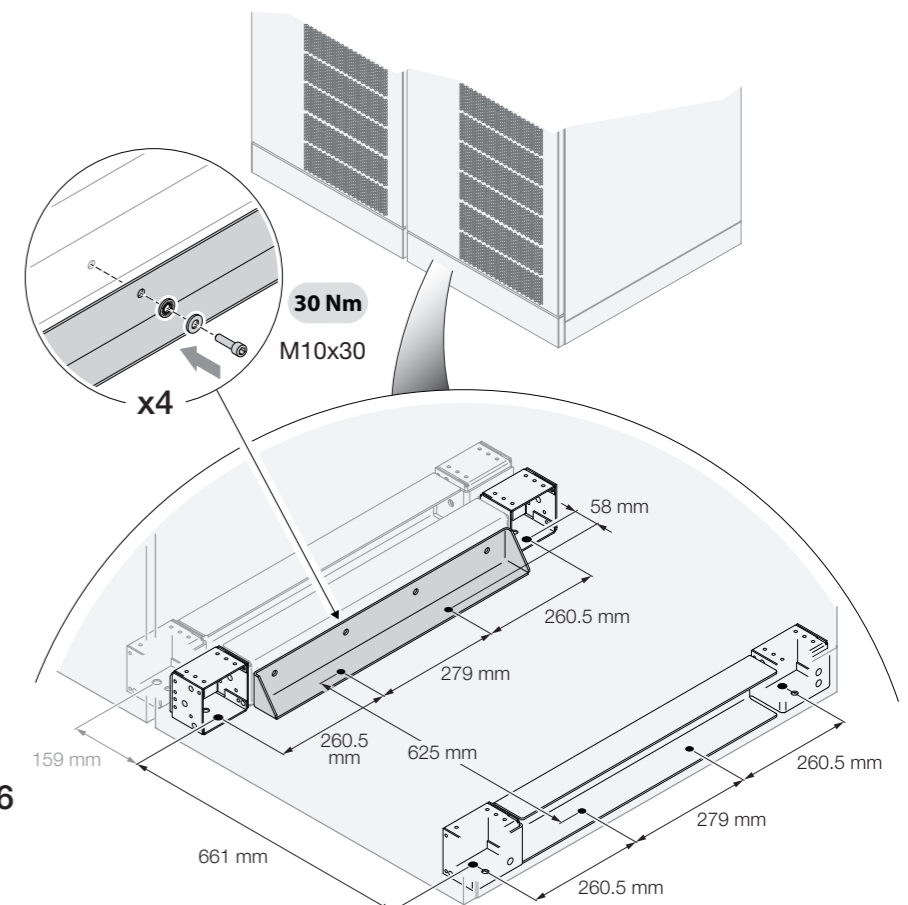
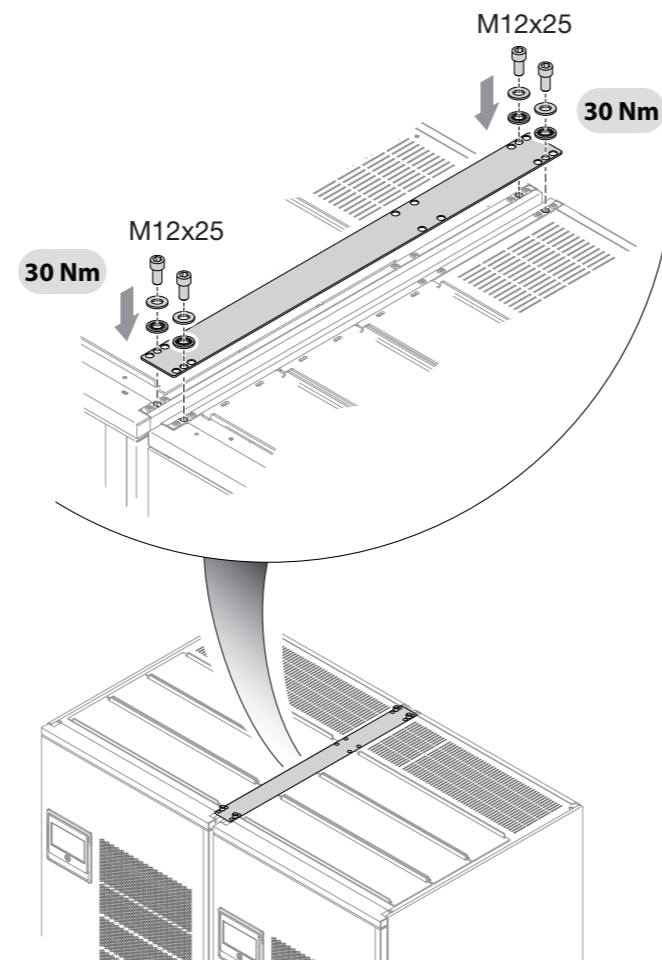
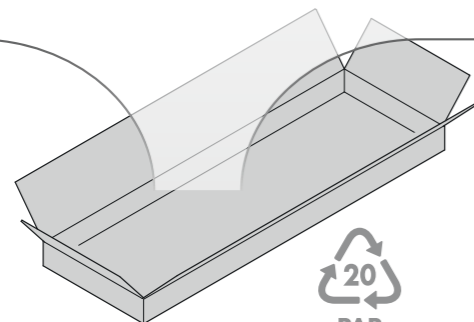
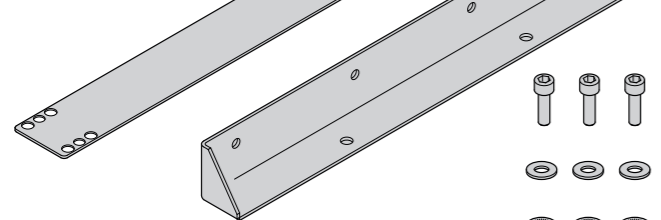


XM 500 + XM 500

M12x25

M12

M12



Not included